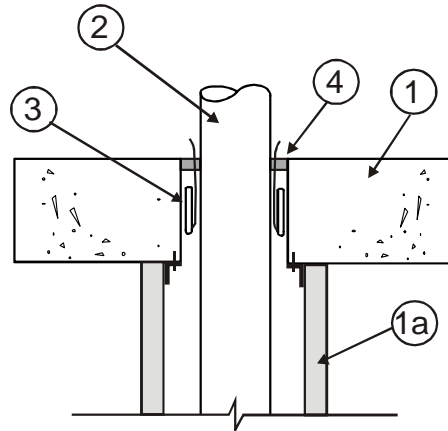


HORIZONTAL (FLOOR)  
 RATINGS – See Below  
 Hole Size – See Item 3  
 TEST PRESSURE DIFFERENTIAL – 50 Pa (0.20 in. of water)

Penetrant	Maximum Pipe ID	ULC-S115-95 CAN4-S115-M F, FH, FT, FTH
PVC	3"	2 HR
ccABS	3"	2 HR
ABS	3"	2 HR



1. **Floor Assembly** - Code conforming 2 HR rated floor assembly, nominal 4-1/2 " thickness, normal or low density cast concrete.
  - 1a. **Wall Assembly** - Gypsum wallboard assembly, constructed with rated or nonrated wallboard, nominal 3-1/2" deep steel studs. Steel ceiling track is secured to the underside of the floor assembly.
  2. **Penetrant** - (See also table of ratings) Nominal 3" diameter or smaller, sch. 40, ccABS, ABS and PVC pipes for DWV or Closed (Process & Supply) plumbing applications, Penetrants must be contained within a wall assembly, ratings achieved will equal that of floor assembly.
- Firestop System Components:**
3. \*IPEX Firepro™ System 2 : Install within opening, recessed 1-1/4" from either surface, according to the manufacturers instructions. To reduce opening size use \* 3M™ Fire Barrier Mortar or non-shrink grout.

Pipe ID	Hole Diameter
1-1/2"	2-1/2" to 3"
2"	3" to 3-1/2"
3"	4-1/2" to 5"

4. **Sealant** - \* 3M™ CP-25WB+ Caulk or \*3M™ FireDam™ FD-150+ Caulk, applied to 1/2" thickness flush with the floor surface.

**Note:** metric conversion factor, inches x 25.4 = mm  
 \*Component bearing the Warnock Hersey Certification Mark