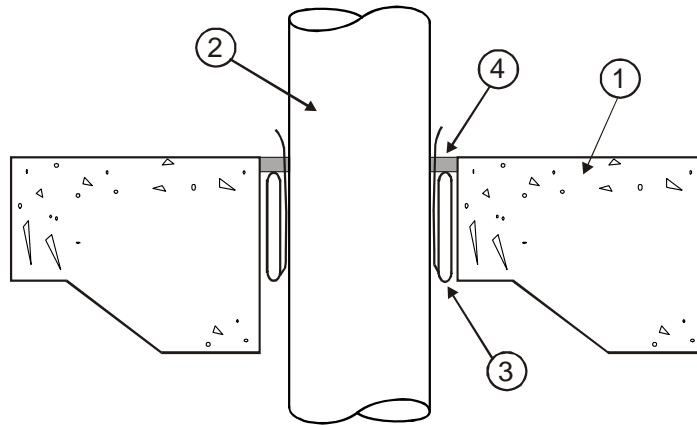


IPEX Inc. - Verdun, PQ, Canada
 DESIGN NO. IXI/PH 120-02

HORIZONTAL (FLOOR)
 RATINGS - See Below
 Hole Size - See Item 3
 TEST PRESSURE DIFFERENTIAL - 50 Pa (0.20 in. of water)

Penetrant	Maximum Pipe ID	ULC-S115-95 CAN4-S115-M F, FH, FT, FTH
PVC	2"	2 HR
ccABS	3"	2 HR
ABS	2"	2 HR
PVC - Thin Wall	2"	2 HR



- Floor Assembly** - Code conforming 2 HR rated floor assembly, nominal 2-1/2" concrete or Q Deck or Fluted Deck, normal, or low density cast concrete.
- Penetrant** - (See also table of ratings) Sch 40, ccABS, ABS and PVC pipes for DWV or Closed (Process & Supply) applications and PVC -Thin Wall Vacuum Tubing (nominal 2" Diameter), ratings achieved will equal that of floor assembly.

Firestop System Components:

- *IPEX Firepro™ System 2 : install within opening 1/2" below the floor surface of the concrete according to the manufacturers instructions.
 *IPEX Firepro™ System 2, 1-1/2" for PVC -Thin Wall Vacuum Tubing (nominal 2" Diameter)

Pipe ID	Hole Size
1-1/2"	2-1/2"
2"	3 "
3"	4-1/2"

- Sealant** -* 3M™ CP-25WB+ Caulk or *3M™ FireDam™ FD-150+ Caulk, applied to 1/2" thickness flush with the floor surface.

Note: metric conversion factor, inches x 25.4 = mm
 *Component bearing the Warnock Hersey Certification Mark