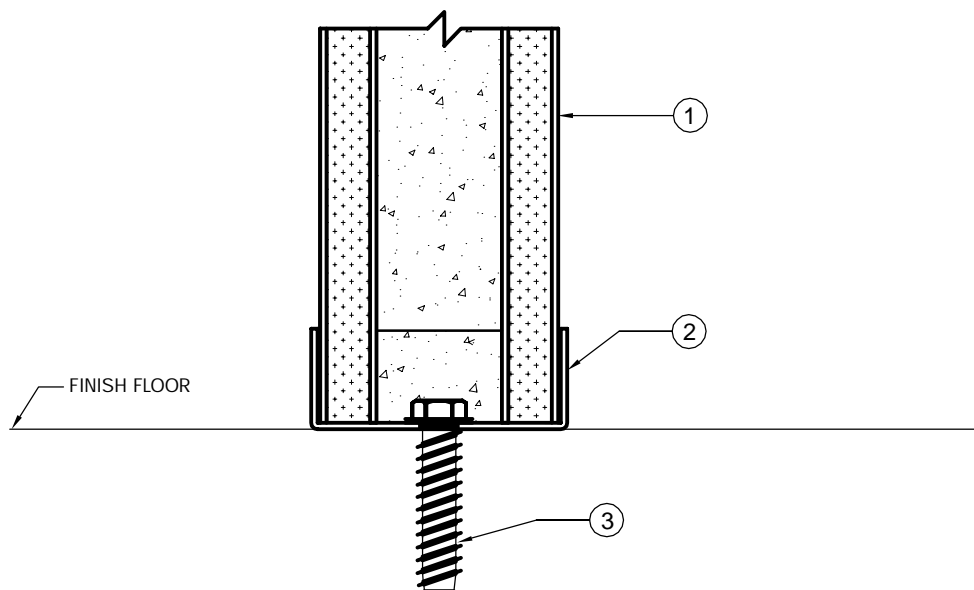

Trussbilt Manufacturing Bottom of Wall Joint Detail

Detail No. B31

Investigated by Intertek for compliance with applicable requirements. For use with Trussbilt's Fire Rated Wall Panel System TBM/MWP 180-01



1. Trussbilt fire rated wall panel TBM/MWP 180-01 (3 hour rating)
 2. 12 gauge (minimum) A60, 409SS or 304SS floor channel with holes pre-punched for anchors as required.
 3. 3/8" minimum diameter expansion anchors located at 18" o.c. maximum.
-