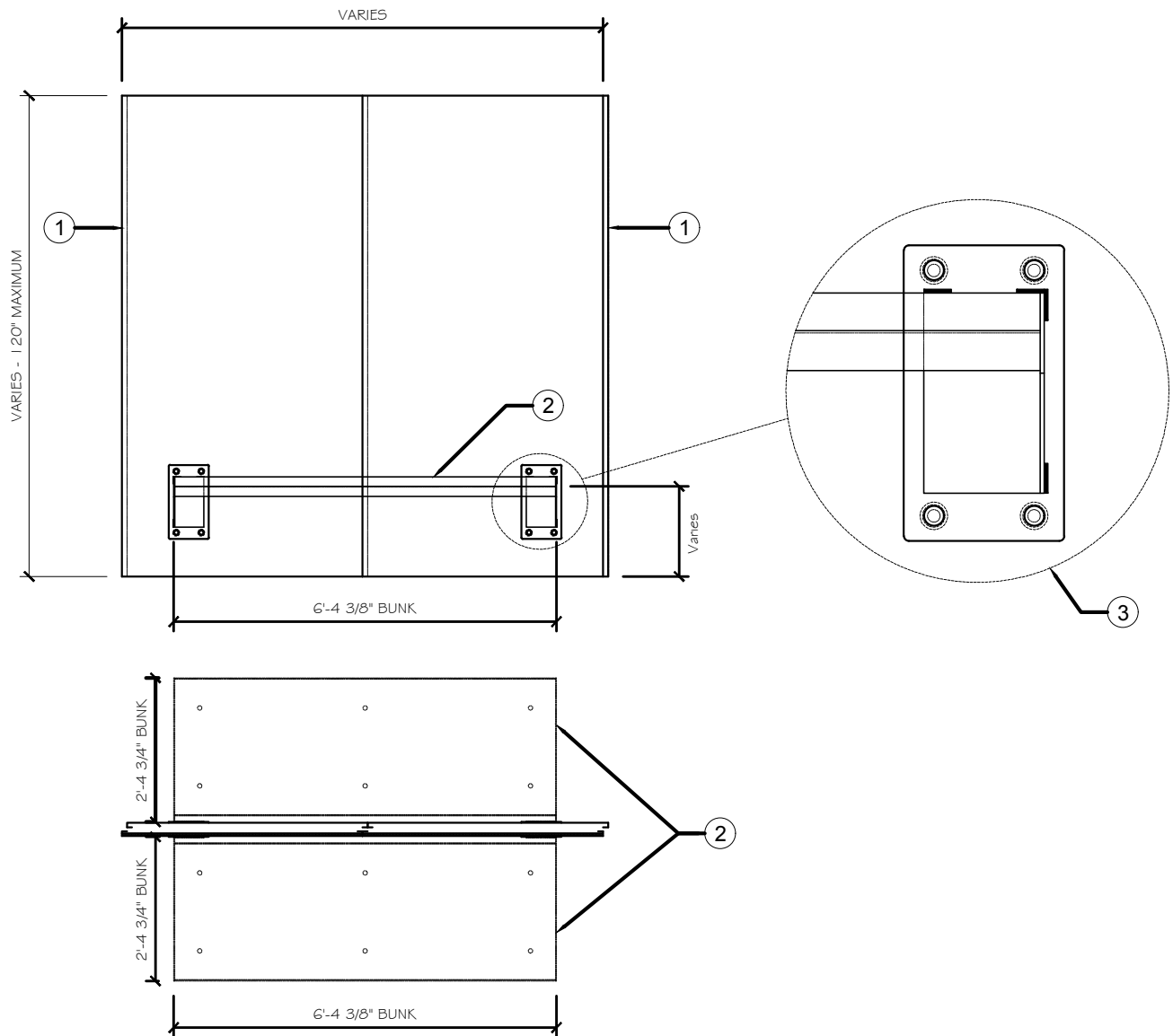


Trussbilt Manufacturing Bunk Attachment Detail Detail No. M34

Investigated by Intertek for compliance with applicable requirements. For use with
Trussbilt's Fire Rated Wall Panel System TBM/MWP 180-01
For use with load bearing and non-load bearing wall installations.



1. Trussbilt fire rated wall panel TBM/MWP 180-01 (3 hour rating)
2. 10 gauge bunk.
3. Bunk mounting bracket. Refer to page 2 of 2.