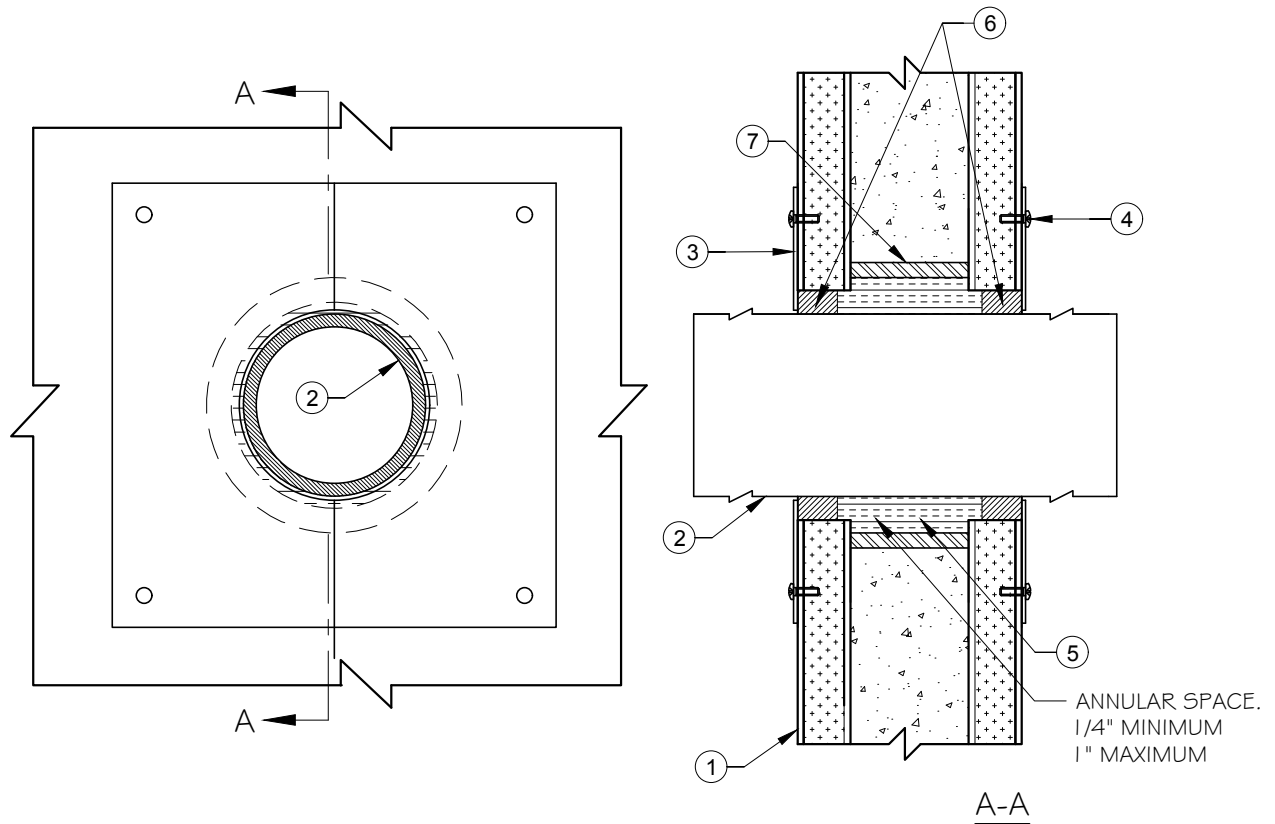


Trussbilt Manufacturing Through Penetration Firestop System

Detail No. P3-6

Investigated by Intertek for compliance with ASTM E814. For use with Trussbilt's Fire Rated Wall Panel System TBM/MWP 180-01. For use with load bearing and non-load bearing wall installations.



1. Trussbilt fire rated wall panel TBM/MWP 180-01 (3 hour rating)
2. Maximum 2-7/8" diameter steel pipe.
3. Minimum 18 gauge steel cover plate with minimum 1" engagement on wall panel.
4. Minimum #8 sheet metal screw, powder actuated fastener, or welded connection, maximum 6" o.c.
5. Mineral wool, min. 4 pcf density, compressed 50%, recessed both sides to accommodate sealant.
6. Minimum 5/8" Hilti FS ONE MAX intumescent fire stop sealant.
7. 4" Schedule 40 pipe (4-1/2" O.D.).