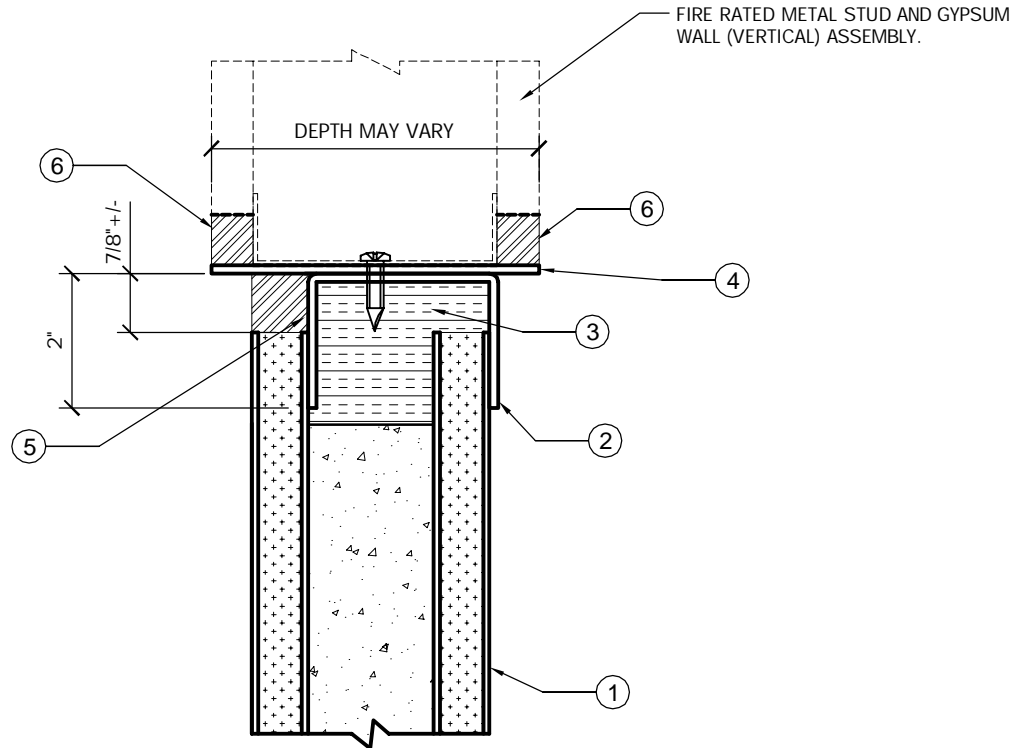


## Trussbilt Manufacturing Top of Wall Joint Detail

### Detail No. T31

Investigated by Intertek for compliance with applicable requirements. For use with  
Trussbilt's Fire Rated Wall Panel System TBM/MWP 180-01  
For use with 200 plf maximum load on wall.



1. Trussbilt fire rated wall panel TBM/MWP 180-01 (3 hour rating)
2. 12 gauge (minimum) A60 or 409SS channel.
3. Cavity between end of wall panel and trim piece to be filled with concrete or rockwool insulation (4 PCF compressed 50% minimum).
4. 12 gauge (minimum) A60 or 409SS plate plug welded or spot welded to channel @ 18" O.C. (maximum) or secure with 1/4" diameter TEK screws @ 6" O.C. (maximum).
5. 5/8" (minimum) thickness of Hilti Firestop sealant CP606 or Hilti Firestop FS-One sealant.
6. 5/8" (minimum) thickness of Hilti Firestop sealant CP606 or Hilti Firestop FS-One sealant.