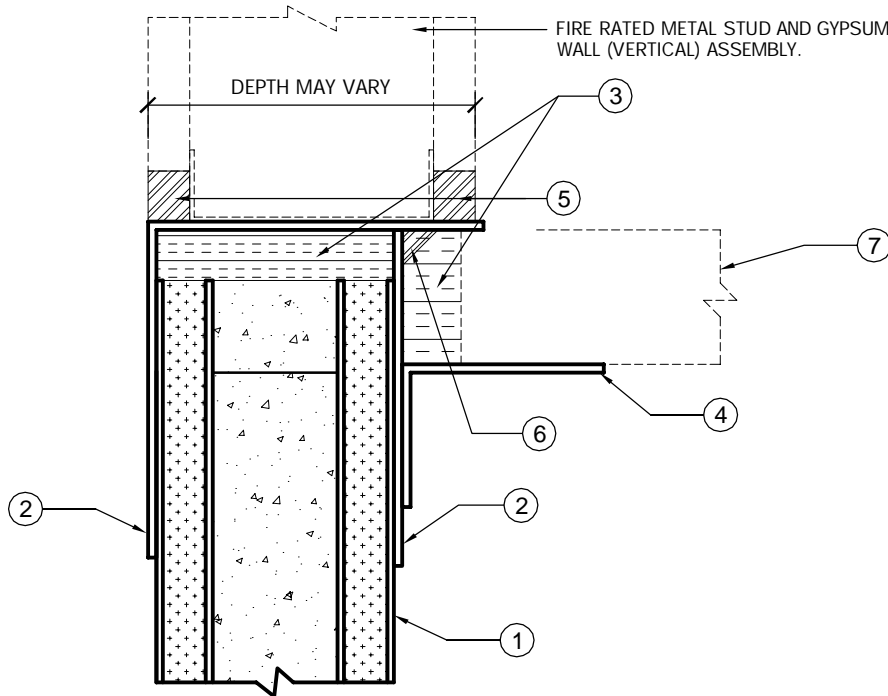


## Trussbilt Manufacturing Top of Wall Joint Detail

### Detail No. T33

Investigated by Intertek for compliance with applicable requirements. For use with Trussbilt's Fire Rated Wall Panel System TBM/MWP 180-01  
For use with 200 plf maximum load on wall.



1. Trussbilt fire rated wall panel TBM/MWP 180-01 (3 hour rating)
2. 12 gauge (minimum) A60 or 409SS angles / plates continuous both sides.
3. Cavity between end of wall panel and trim piece to be filled with concrete or rockwool insulation (4 PCF compressed 50% minimum).
4. 12 gauge (minimum) A60 or 409SS angle welded to plate as required.
5. 5/8" (minimum) thickness of Hilti Firestop sealant CP606 or Hilti Firestop FS-One sealant.
6. 1/4" x 1/4" (minimum) thickness of Hilti Firestop sealant CP606 or Hilti Firestop FS-One sealant.
7. Maximum security steel ceiling panel. TrussDek or similar.