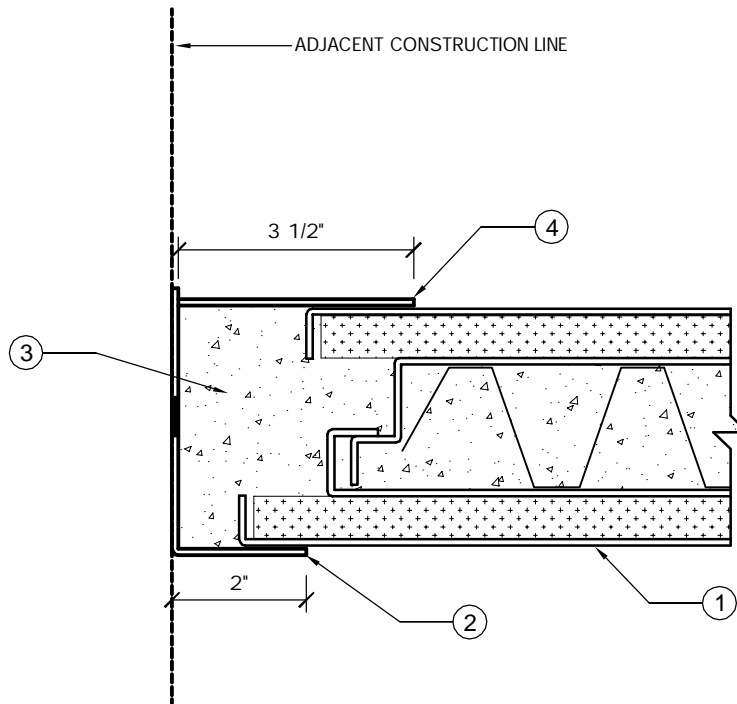

Trussbilt Manufacturing End of Wall Joint Detail

Detail No. E33

Investigated by Intertek for compliance with applicable requirements. For use with Trussbilt's Fire Rated Wall Panel System TBM/MWP 180-01



1. Trussbilt fire rated wall panel TBM/MWP 180-01 (3 hour rating)
 2. 12 gauge (minimum) A60 or 409SS wall channel:
 - Concrete / Masonry Substrate: prepared with holes for 3/8" (minimum) diameter mechanical anchors at 18" o.c. (maximum)
 - Steel Wall Panel Substrate: Prepared for 3/8" (minimum) plug weld holes located 18" o.c. (maximum).
 - Gypsum / Metal Stud Substrate: No attachment anchors required. Channel butted tight to ensure no gaps to adjacent wall construction and weld to metal panel only.
 3. Cavity between end of wall panel and trim piece to be filled with concrete or rockwool insulation (4 PCF compressed 50% minimum).
 4. 12 gauge (minimum) A60 or 409SS wall closure plate welded to wall panel and wall channel.
-