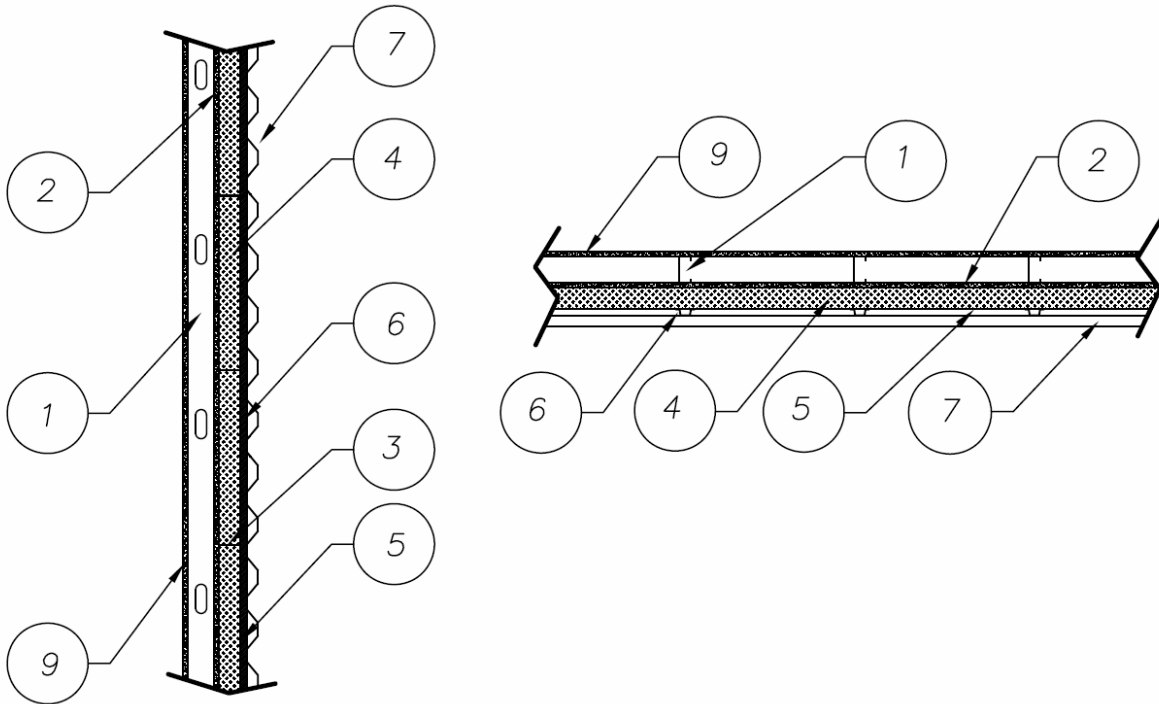


Huntsman Building Solutions (USA) LLC
Design No. HBS/FI 30-08
Closed Cell Spray Foam Insulation
Heatlok® HFO
NFPA 285
Rating: Meets Conditions of Acceptance



- 1. STEEL FRAMING:** Install nominal 3-5/8 in. deep, min. 25 GA galvanized steel studs, 24 in. on center (oc) fastened to min. 25 GA steel track, top and bottom, and secure with #8 × 1/2 in. long pan-head screws at each location. When required, frame out a window opening using min. 25 GA steel track secured with min. #8 × 1/2 in. long pan-head screws. Reference Item 10 for requirements on window opening cover.
- 2. EXTERIOR SHEATHING:** Install one layer of 5/8 in. Georgia Pacific DensGlass® Sheathing in 4 ft. × 8 ft. sheets or equivalent 5/8 in. Glass Mat Gypsum Substrate, Type X, Certified to ASTM C1177, with the long edge perpendicular to the steel framing. Attach using min. #6 × 1-1/4 in.

self-drilling, zinc plated bugle-head screws, spaced max. 8 in. oc around the perimeter and max. 12 in. oc in the field.

- 3. ZEE CHANNEL:** Install min. 16 GA, 3 in. deep, steel zee channel vertically by fastening directly through the exterior gypsum to the steel framing. Attach to each steel stud using min. #10 × 1-1/4 in. self-drilling, zinc-plated bugle-head screws, spaced max. 24 in. oc.
- 4. EXTERIOR WALL INSULATION:**

CERTIFIED PRODUCT: Heatlok® HFO
Polyurethane Spray Foam Insulation



Spray-apply up to a nominal 3 in. of Heatlok® HFO SPF, nominal 2.0 pcf spray polyurethane foam insulation to the exterior sheathing. Trim any excess insulation that exceeds the nominal 3 in. thickness.

5. **INTUMESCENT PAINT:** Spray Flame Control No. 149 (Flame Control Coatings, LLC) evenly over the Heatlok® HFO (Item 4), using one or more coats in accordance with the manufacturer's installation instructions, at a coverage rate of 53 ft²/gallon (1.9 gallon/100 ft²) to achieve a wet film thickness of 30 mils (17.4 mils dry film thickness).
6. **HAT CHANNEL:** Install min. 16 GA galvanized steel hat channel, 1-1/4 in. x 7/8 in. deep, horizontally, spaced 24 in. oc. Attach to the zee channel using min. #10 x 3/4 in. self-drilling, zinc plated bugle-head screws, spaced 24 in. oc.
7. **WALL PANELS:** Install min. 18 GA ribbed steel wall panels horizontally with a 3 in. overlap. Rib height shall not exceed nominal 1-1/2 in. from valleys to peaks, ribs are spaced nominally 7-1/5 in. oc and panels are nominally 36 in. high. Attach panels to hat channel using min. #10 x 3/4 in. self-tapping screws, fastened in the center of each valley and spaced 24 in. oc horizontally.
8. **FLOORLINE FIRESTOPPING:** (Not Shown) Compression fit noncombustible (per ASTM E136) nominal 4 pcf mineral wool insulation in the stud cavities at the floor lines.
9. **INTERIOR SHEATHING:** Install one layer of 5/8 in. thick Type X gypsum board with long dimension perpendicular to steel studs. Attach to steel framing using min. #6 x 1-1/4 in. self-drilling, zinc plated bugle-head screws, spaced 8 in. oc around the perimeter and 12 in. oc in the field. Apply a Level 2 finish to all gypsum joints and fasteners.
10. **WINDOW OPENING:** Cover the window header, jambs, and sill with 0.080 in. thick aluminum flashing using min. #6 x 1-1/4 in. self-drilling, zinc plated bugle-head screws spaced 12 in. oc. Flashing is to be L-shaped with a 2 in. return onto the exterior wall face on each side of the window opening, and overlap 4 in. min. within the window opening. Optionally, the flashing may be of a U-shape with a 2 in. return onto the exterior wall face on each side of the window opening.

Consult the listing report on the Directory of Building Products (<https://bpdirectory.intertek.com>) for the edition of the standard(s) evaluated.