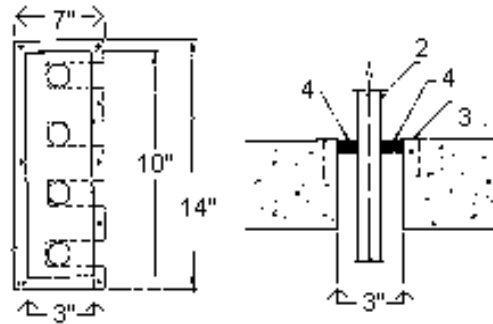


DESIGN NO. TRC/PH 120-01
HORIZONTAL (FLOOR), F RATING - 2 HRS, T RATING - 4 MINUTES;
ANNULAR SPACING - 1" MAX.
TEST PRESSURE DIFFERENTIAL - 2.5 Pa (0.01" OF WATER) MINIMUM



Manufacturer's Designation: 950 CF-13.

1. Floor: Minimum 4-1/2" thick, normal weight concrete slab with a 10" x 3" opening (either formed or impact-chiseled).
2. Penetrations: Four (4) 1" I.D. Type M Copper Pipes
3. Forming Material: Materials are used as a form and seal to prevent leakage of the sealant during construction:
 - a) 0.012" diameter galvanized steel wire mesh; 1/8" on center both directions.
4. Caulking Compound or Filler Material: Minimum thickness 1/2" Metalines, Inc. Metacaulk*950.
5. Masonry Anchors: Nails or powder-actuated fasteners with a 3/4" minimum concrete penetration.

*Component bearing the Warnock Hersey Certification Mark