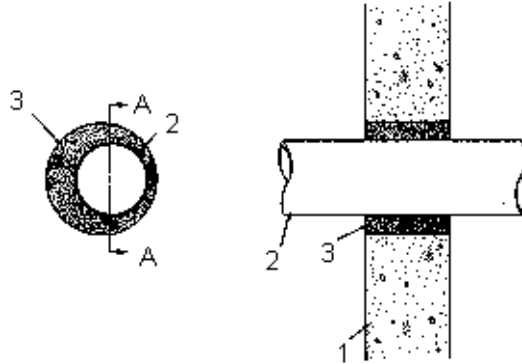


DESIGN NO. TRC/PV 60-02
VERTICAL (WALL), F RATING - 1 HR, T RATINGS - 15 MINUTES;
ANNULAR SPACING - 3/8" TO 1-5/8"
TEST PRESSURE DIFFERENTIAL - 2.5 Pa (0.01" OF WATER) MINIMUM



Manufacturer's Designation: 950 CW-11.

1. Wall: Nominal 4-1/2" thick or thicker solid concrete or concrete block with a 7-3/4" diameter opening.
2. Penetrations: 1) 4" I.D. 1/8" Aluminum Tubing.
3. Caulking Compound or Filler Material: Minimum thickness 4-1/2" Metalines, Inc. Metacaulk* 950.

*Component bearing the Warnock Hersey Certification Mark