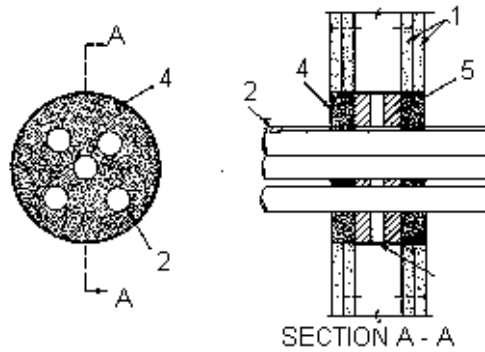


DESIGN NO. TRC/PV 120-08
VERTICAL (WALL), F RATING - 2 HRS, T RATING - 1-1/2 HRS;
ANNULAR SPACING - 1/2" TO 3-1/2"
TEST PRESSURE DIFFERENTIAL - 2.5 Pa (0.01" OF WATER) MINIMUM



Manufacturer's Designation: 950 GW-5.

1. Wall: Nominal 5" thick steel or wood stud fire rated gypsum drywall partitions; concrete block or concrete with an 8" diameter opening.
2. Penetrations: 5) 1" I.D. Steel Pipes - Schedule 40.
3. Forming Materials: Materials are used as a form and seal to prevent leakage of the sealant during construction:
 - a) 0.012" diameter galvanized steel wire mesh 1/8" on center both directions.
4. Caulking Compound or Filler Material: Minimum thickness 1-1/4" Metalines, Inc. Metacaulk* 950 each side of partition.
5. Insulation: Foam Backing Material.

*Component bearing the Warnock Hersey Certification Mark