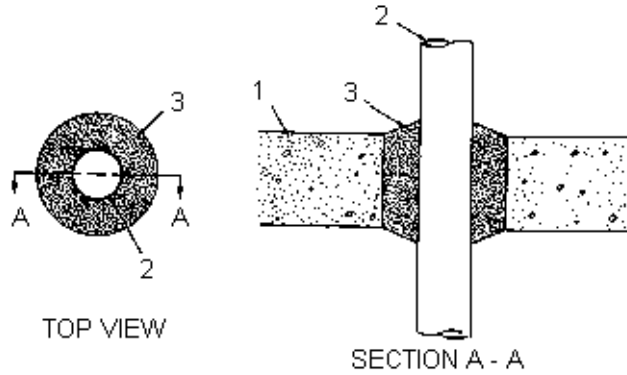


DESIGN NO. TRC/PH 120-05
HORIZONTAL (FLOOR), F RATING - 2 HRS, T RATING - 0;
ANNULAR SPACING - 1-3/4" MAX.
TEST PRESSURE DIFFERENTIAL - 2.5 Pa (0.01" OF WATER) MINIMUM



Manufacturer's Designation: 950 CF-9.

1. Floor: Nominal 4-1/2" thick steel or thicker slab with a 6" diameter opening.
2. Penetrations: 1) 2" I.D. PVC Pipe - Schedule 40.
3. Caulking Compound or Filler Material: Minimum thickness 4-1/2" Metalines, Inc. Metacaulk*950.

*Component bearing the Warnock Hersey Certification Mark