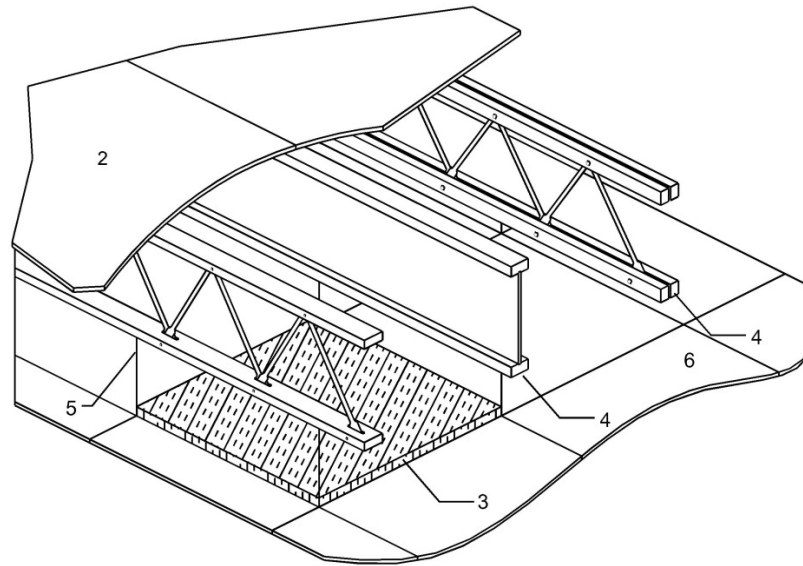


---

**Design Number RBL/SFWT 60-06**  
**REDBUILT OPEN-WEB TRUSS & RED-I JOIST SERIES**  
RedBuilt LLC  
ASTM E119 and CAN/ULC S101  
Load Bearing Fire Resistance Rated Roof/Ceiling, Floor/Ceiling Assembly  
60-Minute Rating

---



1. FLOOR TOPPING (Optional, not shown): Gypsum concrete, lightweight or normal concrete topping. When used as a roof assembly, materials for a built-up roof covering that are described in an assembly that provides a Class A, B, or C rating on combustible wood decks may be used.

2. FLOOR SHEATHING: Double wood floor consisting of min. 1 in. thick wood sheathing subfloor and 5/8 in. thick wood sheathing finish floor, designed and installed per code requirements. Min. 3/4 in. thick concrete topping, as describe in item 1 may be substituted for finish flooring. When used as a roof assembly, min. 1/2 in. thick wood sheathing may be used, when designed and installed per code requirements.

3. INSULATION: Min. 1 in. thick: 4 pcf Thermafiber® Sound Attenuation Fire Blankets, or Fibrex®-FBX 1240 Industrial

Boards, or Fibrex®-IF 1240 Flex Batts, or IIG MinWool®-1240 Industrial Board, or IIG MinWool®-1240 Flexible Batt. Insulation shall be installed over the ceiling panels.

4. CERTIFIED COMPANY: RedBuilt LLC

CERTIFIED PRODUCT: Shop fabricated wood trusses

CERTIFIED MODELS:

RED-I JOIST SERIES: RED-I45, RED-I65, RED-I90, RED-I90H and RED-I90HS.

OPEN-WEB TRUSS SERIES: RED-L, RED-W, RED-S, RED-M and RED-H.

9-1/4 in. min. deep joists spaced a max. of 24 in. on center (oc) (Min. flange depth 1-1/2 in.). Installed in accordance with the Code.

5. SUSPENSION SYSTEM: The panels shall be supported by a fire resistance rated suspension system, listed for use with assemblies utilizing wood framing for a time period equal to or greater than this assembly rating. The distance from the bottom of the joists to the suspended ceiling must be a min. of 10 in..

6. SUSPENDED CEILING: The suspended ceiling panels shall be min. 5/8 in. thick, 2 ft.X 2 ft. or 2 ft. X 4 ft., USG FIRECODE AURATONE lay-in acoustical board.

7. LIGHT FIXTURES (Optional, not shown): Max. 2 ft. X 4 ft. are permitted to be installed in the ceiling, provided the aggregate area of fixtures does not exceed 12 square feet per 100 square feet of ceiling area.

8. AIR DIFFUSERS (Optional, not shown): Ceiling opening for air diffusers, up to a max. of 12 in. in diameter, are permitted, provided the opening is protected with approved fire dampers and the aggregate areas do not exceed 113 square in. per 100 square-feet of ceiling area.

9. FIXTURE PROTECTION (Not shown): Ceiling opening for air diffusers, up to a max. of 12 in. in diameter, are permitted, provided the opening is protected with approved fire dampers and the aggregate areas do not exceed 113 square in. per 100-square-feet of ceiling area.