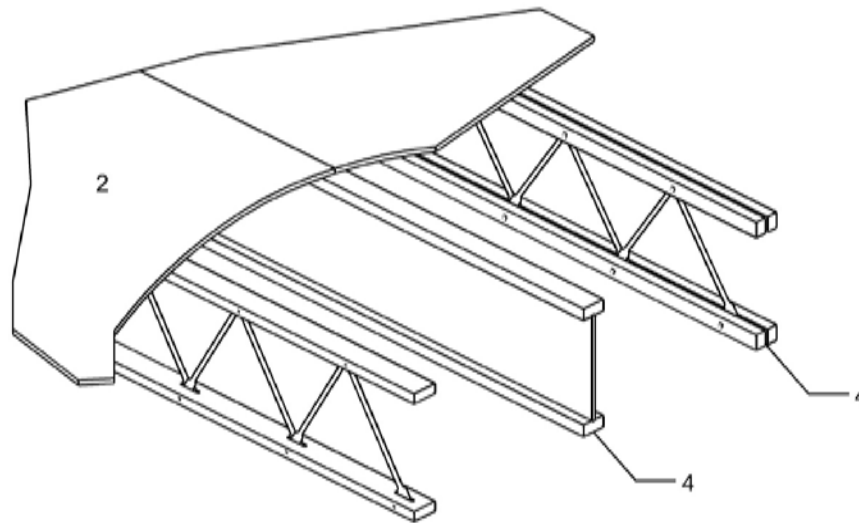


---

**Design Number RBL/SFWT 60-05**  
**REDBUILT OPEN-WEB TRUSS & RED-I JOIST SERIES**

RedBuilt LLC  
ASTM E119 and CAN/ULC S101  
Load Bearing Fire Resistance Rated Roof/Ceiling, Floor/Ceiling Assembly  
60-Minute Rating

---



1. FLOOR TOPPING (Optional, not shown): Gypsum concrete, lightweight or normal concrete topping. When used as a roof assembly, materials for a built-up roof covering that are described in an assembly that provides a Class A, B, or C rating on combustible wood decks may be used.

2. FLOOR SHEATHING: Min. 5/8 in. thick wood sheathing, designed and installed per code requirements. When used as a roof assembly, min. 1/2 in. thick wood sheathing may be used, when designed and installed per code requirements.

3. INSULATION (Optional, not shown): When installed, insulation shall be supported by stay wires spaced a min. of 12 in. on center (oc).

4. CERTIFIED COMPANY: RedBuilt LLC

CERTIFIED PRODUCT: Shop fabricated wood trusses

**CERTIFIED MODELS:**

RED-I JOIST SERIES: RED-I45L, RED-I53, RED-I58, RED-I45, RED-I65, RED-I90, RED-I90H and RED-I90HS.

OPEN-WEB TRUSS SERIES: RED-L, RED-W, RED-S, RED-M and RED-H.

Min. 9-1/4 in. deep joists spaced a max. of 24 in. oc. Installed in accordance with the Code. The max. spacing may be increased to 48 in. oc when the ceiling is applied to stripping spaced a max. of 24 in. oc. The stripping must be a nominal 2-by-4, construction-grade lumber attached to the joists bottom flange using two 10d nails.

5. CEILING (Not shown): An approved ceiling membrane that provides a min. 40-minute finish rating must be used. An example of an approved ceiling having a 40-minute finish rating is one that consists of two layers of 1/2 in. thick Type X gypsum

board complying with ASTM C36 or ASTM C1396. Substantiating data, including a report of the fire-endurance testing conducted in accordance with ASTM E119, must be furnished to the Authority Having Jurisdiction (AHJ) to verify it meets the

40-minute finish rating requirements. The finish rating must be determined in accordance with Section 47 of ASTM E119. The finish rating is defined in Section 48 of ASTM E119.