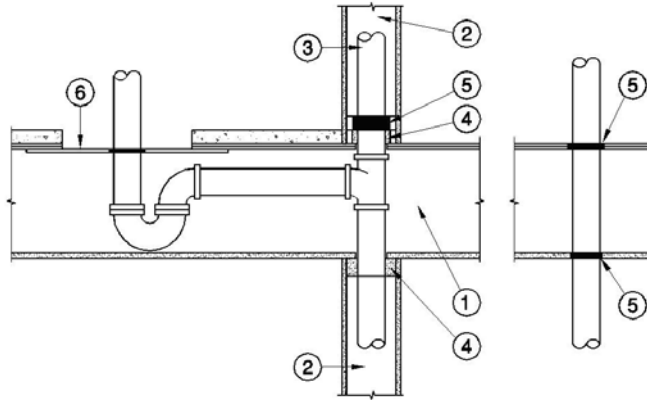


**DESIGN NO. 3M/PH 60-07**  
**HORIZONTAL (FLOOR); RATINGS: SEE TABLE BELOW**  
**TEST PRESSURE DIFFERENTIAL - 50 PA (0.20" OF WATER) MINIMUM**

Penetrating Items	Max. Pipe/Cable Size	Max. Opening Size	Min.-Max. Annular Spacing	RATINGS	
				CAN/ULC-S115	ASTM-E814
				F, FH, FTH	F, FT
CPVC/PVC	2"	3"	1/4" - 1"	1 Hr	1 Hr
PEX	1"	2"	1/4" - 1/2"	1 Hr	1 Hr
Copper	2"	3" x 3"	1/8" - 1-1/2"	1 Hr	1 Hr
Steel/Cast	4"	5-1/2" x 6"	1/8" - 1-1/2"	1 Hr	1 Hr
EMT	1-1/2"	3" x 3"	0" - 1-1/2"	1 Hr	1 Hr
BX Cable	1/2"	1"	1/4"	1 Hr	1 Hr
Electrical**	1-1/2"***	2"	1/4" - 1/2"	1 Hr	1 Hr



1. **Floor/Ceiling Assembly:** Wood framed one hour rated assembly with or without concrete topping.
2. **Wall Assembly:** Rated or unrated gypsum wallboard faced wall assembly with wood stud or steel stud framing members.
3. **Penetrating Items:** See Table of Ratings. 2 in. PVC vacuum tubing may be used.  
 \*\*For electrical cable or wire penetrations, maximum eight penetrations including loomex, telephone, COAX and detector cables (#18 AWG FT-14 or smaller) or up to one power cable or smaller NMD 90 4 conductor, aluminum or copper.  
 For piping (metal and plastic), maximum three penetrations, maintaining minimum annular spacing and minimum 1/2" spacing between penetrating items.  
**For Penetrations of Ceiling Membrane Only:** Maximum 1-1/2" I.D. steel, EMT, copper, and CPVC pipe in a maximum 2-1/4" diameter hole, or 1/2" I.D. PEX in a maximum 1-1/8" diameter hole.
4. **Mineral Wool Insulation:** Nominal 4 pcf or greater density mineral wool insulation packed into annular space for full depth of membrane. Mineral wool may be omitted for 1/2" PEX or 1/2" copper penetrations of the floor surface only when annular space does not exceed 1/4".
5. **Firestop Sealant:** 3M™ Fire Barrier 1003 silicone sealant self leveling or 3M™ Fire Barrier 1000 silicone sealant no sag, applied on top of the mineral wool fill on the bottom plate only to a depth of 3/8". For 1/2" PEX and 1/2" copper penetrating the floor surface only, the sealant shall be applied the full depth of the sub-floor (5/8" minimum). Where the annular space is less than 1/4", a 1/4" crown bead of caulk is to be applied above the floor level. For penetrations of ceiling membrane only, caulk to full depth of gypsum wallboard membrane using 3M™ Fire Barrier 1000 silicone sealant no sag or 3M™ Fire Barrier 3000 intumescent silicone sealant. For 2" vacuum tubing, 3M™ Fire Barrier 3000 intumescent silicone sealant is required.
6. **1-1/2" Steel or Copper Tub or Shower Drain:** May be firestopped by sealing a maximum 10" by 10" floor opening with 5/8" Type X gypsum wallboard fastened with at least 4 screws and a perimeter bead of 3M™ Fire Barrier 1000 silicone sealant no sag applied to the full depth of the annular space and to the perimeter of the wallboard.