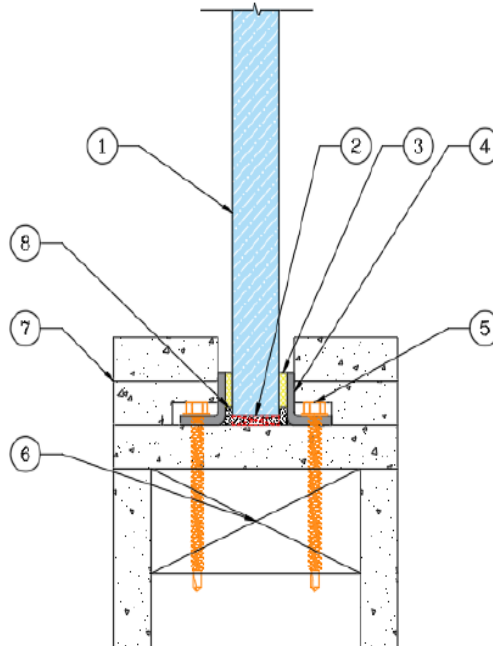


SAFTI FIRST
Design No. SF/GG 45-01
Safti First 45 Minute Glazing
EZ-Frame with
SUPERCLEAR 45 HS OR SUPERCLEAR 45 HS-LI
UL 9, NFPA 257
Rating: 3/4 Hour



- 1. COMPONENT NAME:** Safti First Super Clear 45 HS or Super Clear 45 HS LI tempered glazing

CERTIFIED PRODUCT: EZ-Frame with Safti First Super Clear 45 HS or Super Clear 45 HS LI low iron glazing

Glazing that can be used is SuperClear 45-HS or SuperClear 45-LI. The glazing is attached to the gypsum wall board lining the framed opening using 3/4 in. x 3/4 in. x 20 GA continuous steel angles. Wall construction must be of rated design and lined with rated 1/2 in. or 5/8 in. gypsum. The angles shall be attached 8 in. on center (oc) with min. #12 Tek self-drilling screws, penetrating steel studs a min. of 1/2 in. or wood studs a min. of 1 in.

- 2.** 1/8 in. Calcium Silicate Setting Block
3. 1/8 in. x 1/2 in. Glazing Tape
4. "Safti First EZ Frame" 3/4 in. x 3/4 in. x 20 GA Steel Angle (stop height from top of setting block 5/8 in. as noted in certified product information, anchored every 8 in. oc)
5. Hex Head Tek Self-Drilling Screw
6. Rated Gypsum Wall Design
7. 5/8 in. Gypsum Wallboard Decorative Finish
8. Compacted Mineral Wool



Consult the listing report on the Directory of Building Products (<https://bpdirectory.intertek.com>) for the edition of the standard(s) evaluated.

Compliance of the assembly described in this Design Listing with the referenced standard relies on verification that the assembly constructed in the field is consistent with that described herein. Intertek certified products may be verified by the approved Intertek label; other products must be verified by the Authority Having Jurisdiction as meeting the specifications stated herein.