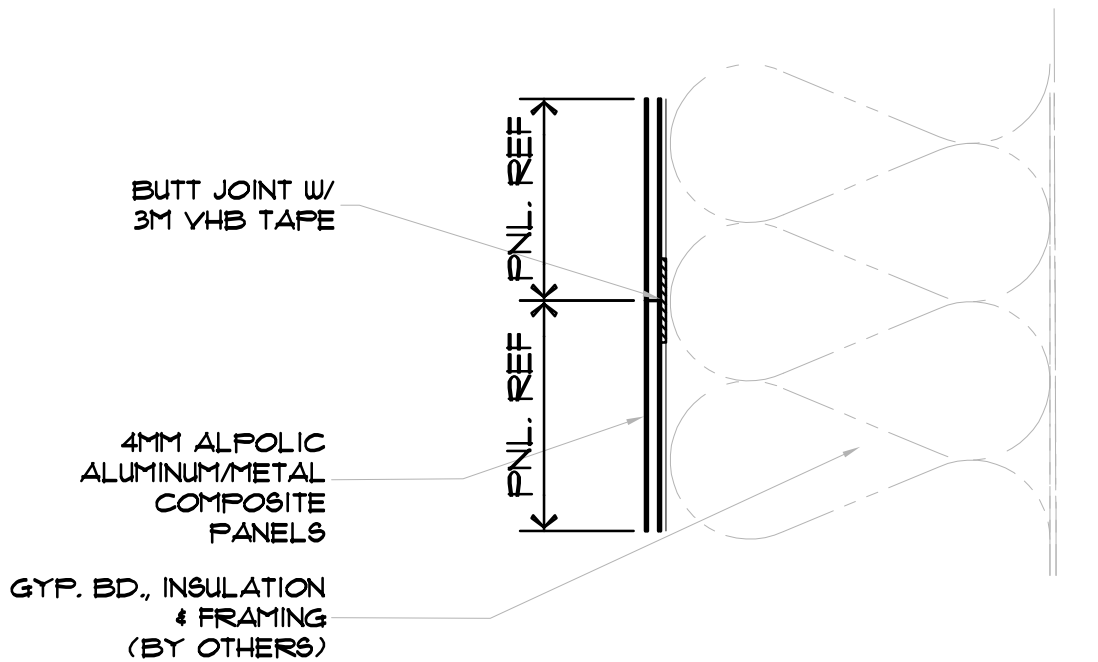


1 VERTICAL WALL JOINT
 IS SCALE: 6" = 1'-0"

ALPOLIC[®]

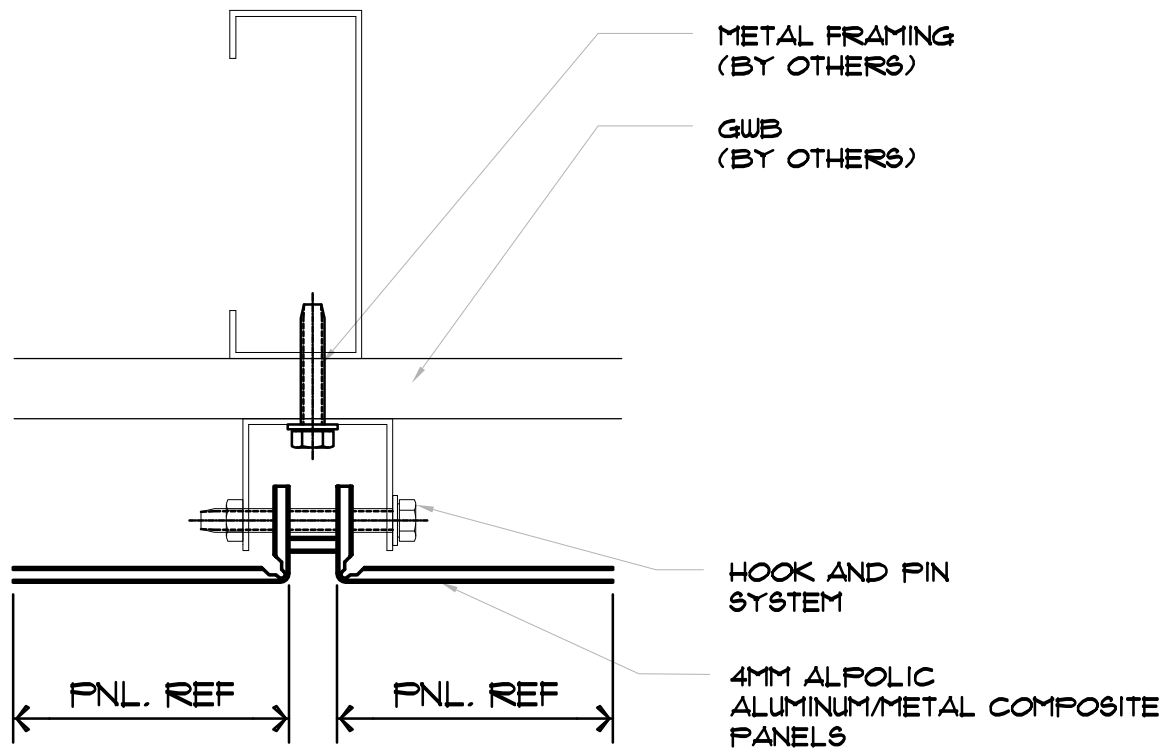
INTERIOR SYSTEMS
 10.01.05
www.alpoliC-usa.com



2 HORIZONTAL WALL JOINT
 IS SCALE: 6" = 1'-0"

ALPOLIC[®]

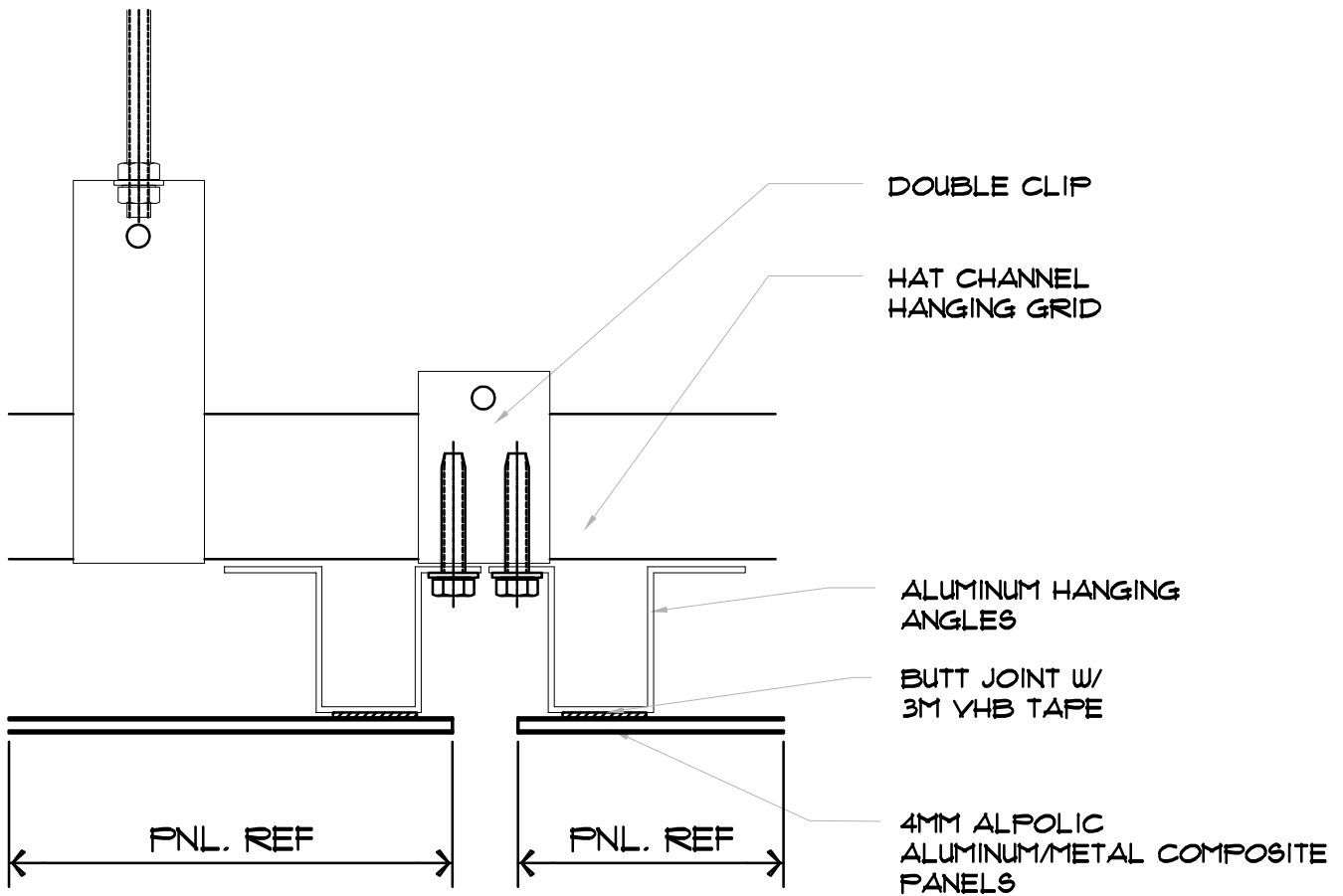
INTERIOR SYSTEMS
 10.01.05
www.alpolic-usa.com



3 HOOK AND PIN WALL VERTICAL
IS SCALE: 6" = 1'-0"

ALPOLIC[®]

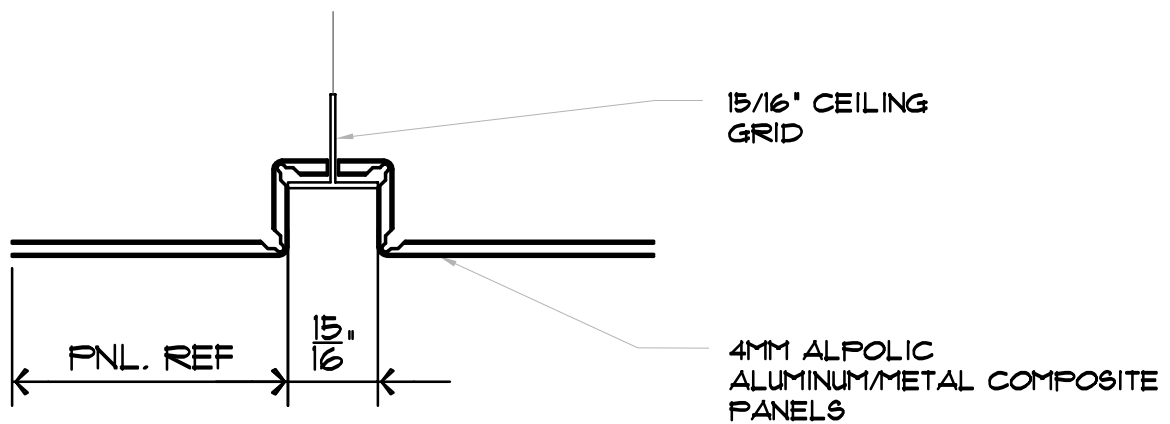
INTERIOR SYSTEMS
10.01.05
www.alpolic-usa.com



4 SUSPENDED CEILING
IS SCALE: 6" = 1'-0"

ALPOLIC[®]

INTERIOR SYSTEMS
10.01.05
www.alpolic-usa.com



5 TYPICAL SUSPENDED GRID
 IS SCALE: 6" = 1'-0"

ALPOLIC[®]

INTERIOR SYSTEMS
 10.01.05
www.alpolic-usa.com