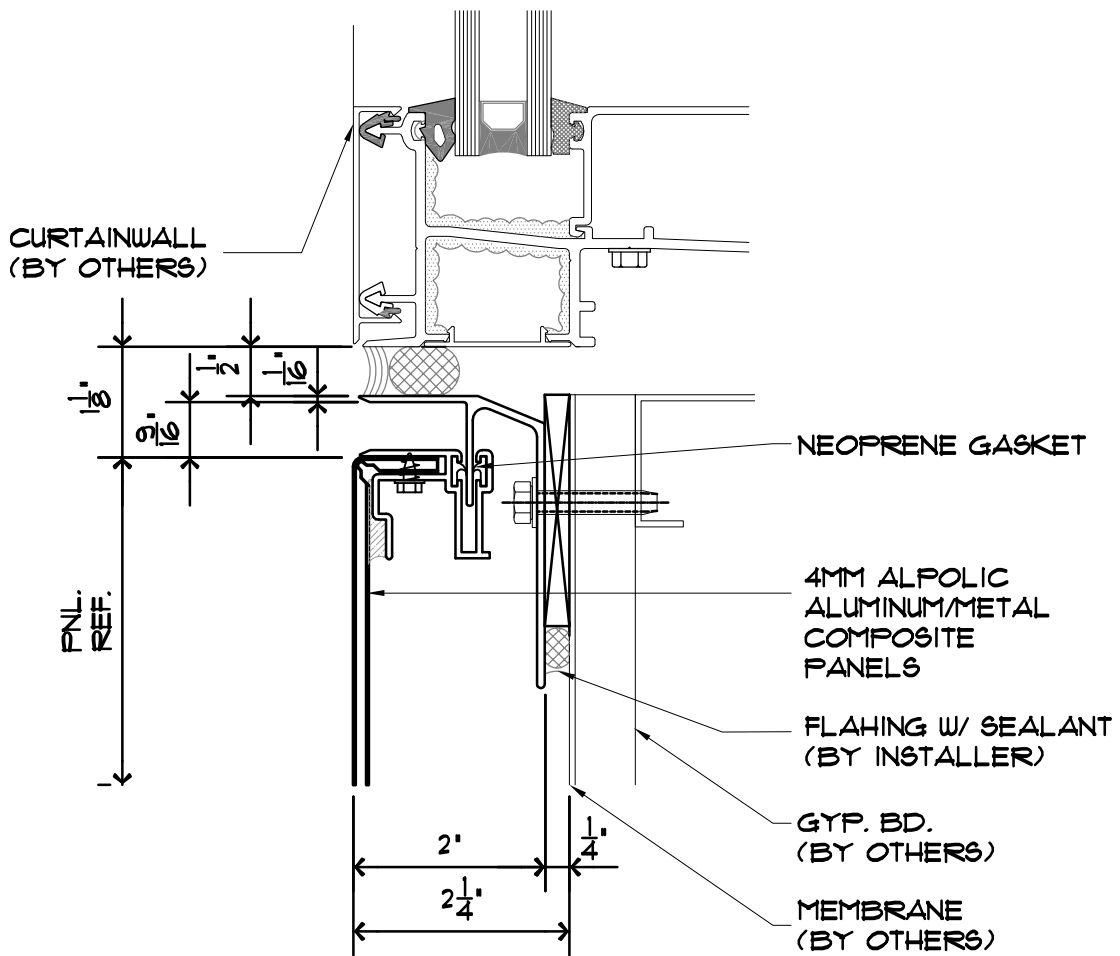


ALPOLIC[®]

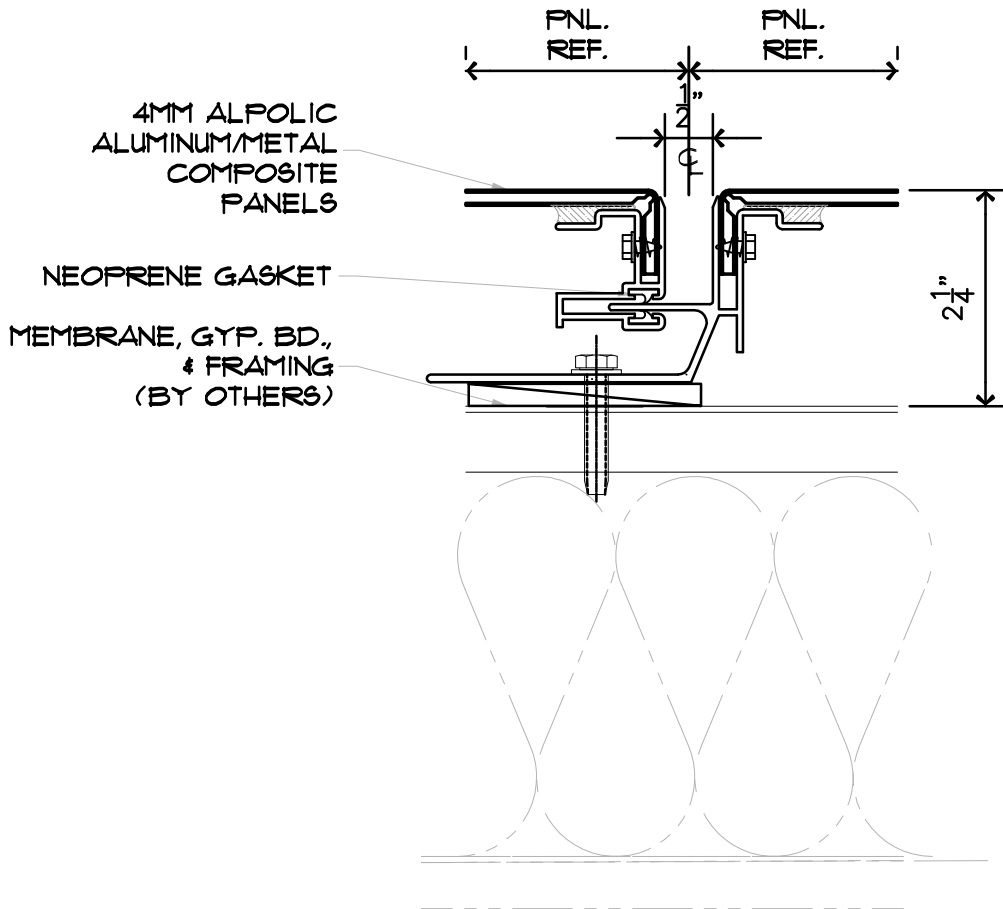
DRY SEAL SYSTEM
10.01.05
www.alpolic-usa.com



1 SILL DETAIL
DS SCALE: 6" = 1'-0"

ALPOLIC®

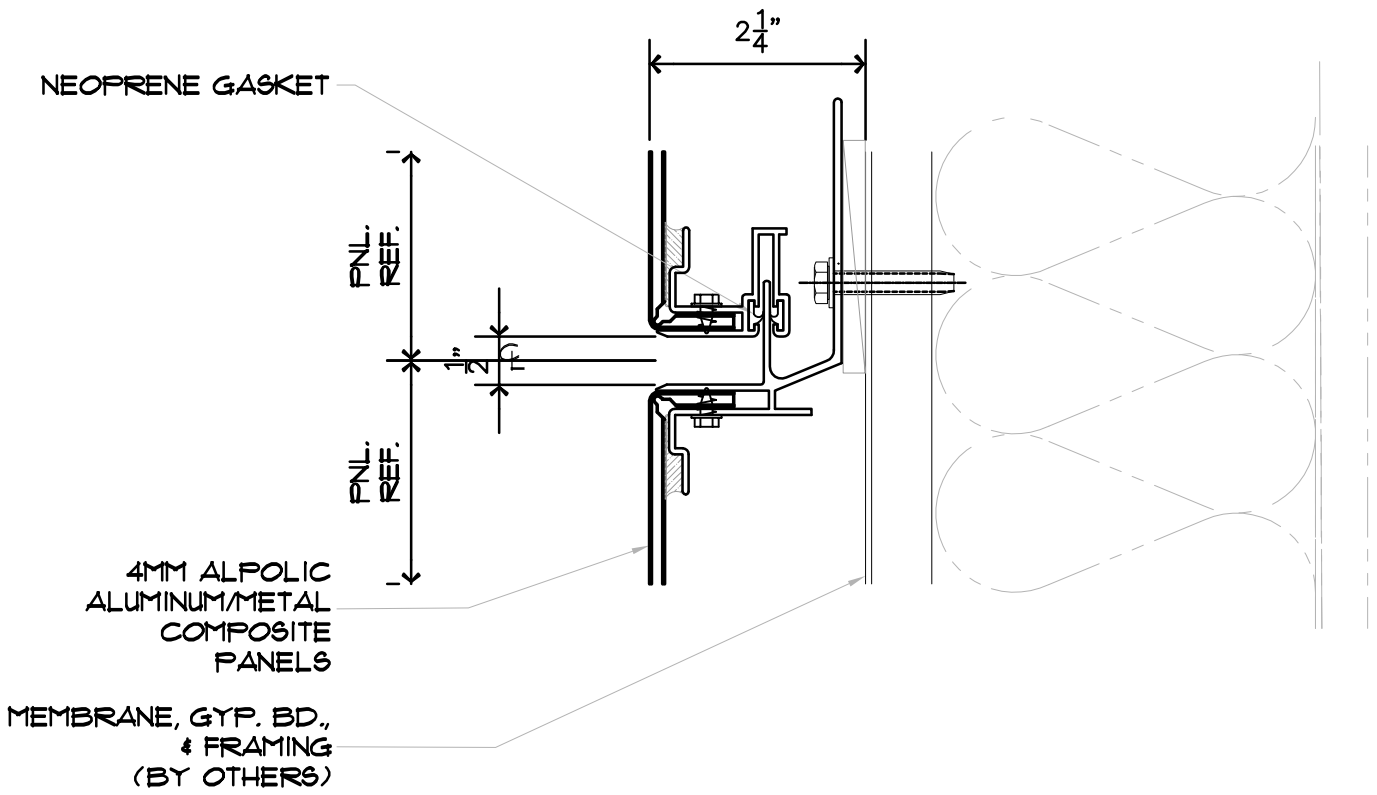
DRY SEAL SYSTEM
10.01.05
www.alpolic-usa.com



2 VERTICAL JOINT
 DS SCALE: 6" = 1'-0"

ALPOLIC®

DRY SEAL SYSTEM
 10.01.05
www.alpolic-usa.com

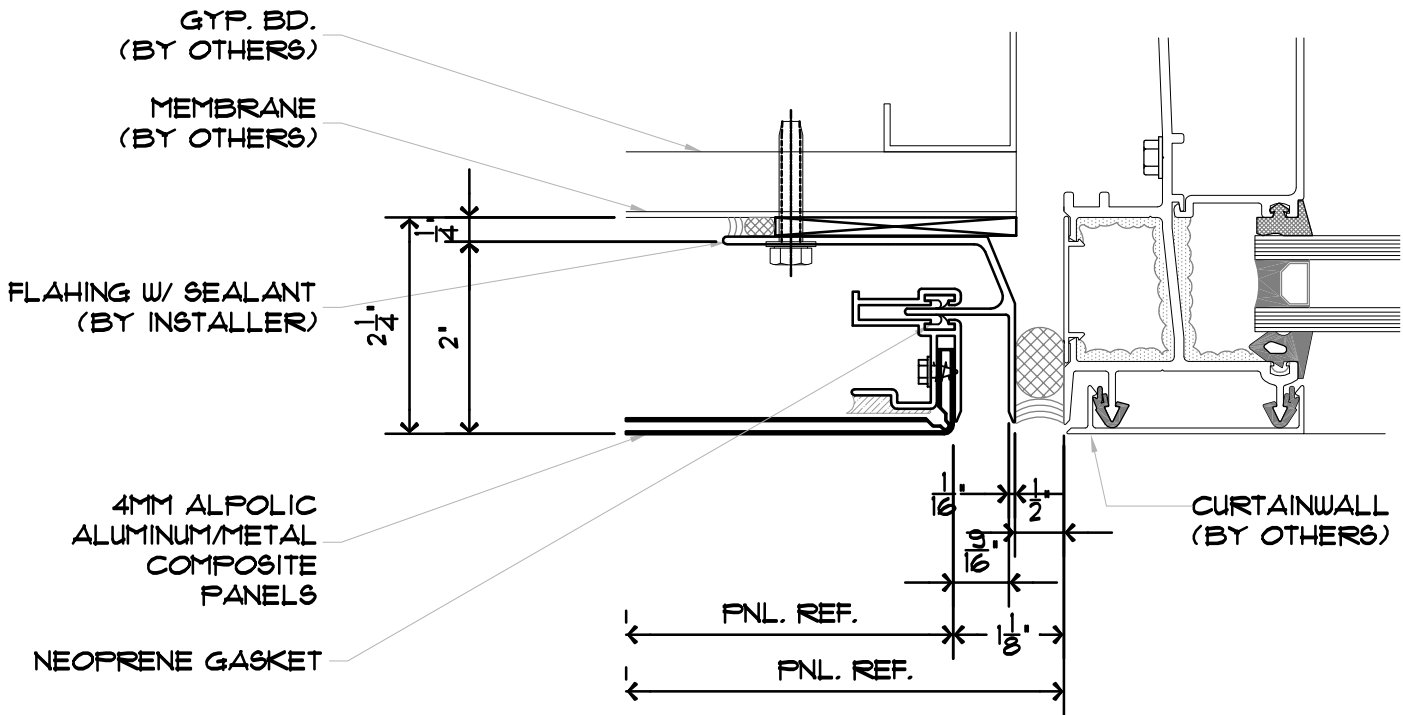


3 HORIZONTAL JOINT

DS SCALE: 6" = 1'-0"

ALPOLIC®

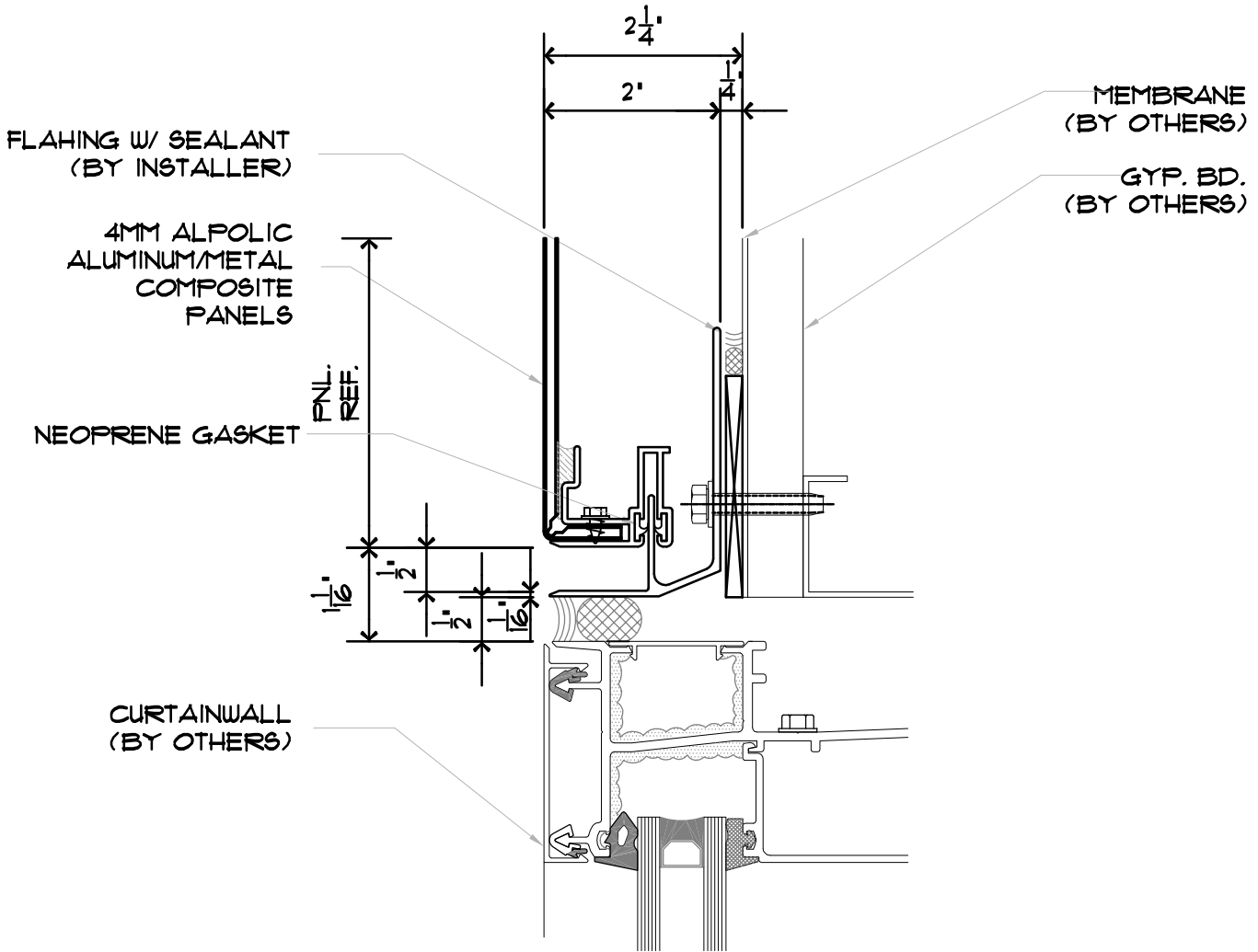
DRY SEAL SYSTEM
10.01.05
www.alpolic-usa.com



4 JAMB DETAIL
 DS SCALE: 6" = 1'-0"

ALPOLIC[®]

DRY SEAL SYSTEM
 10.01.05
www.alpolic-usa.com

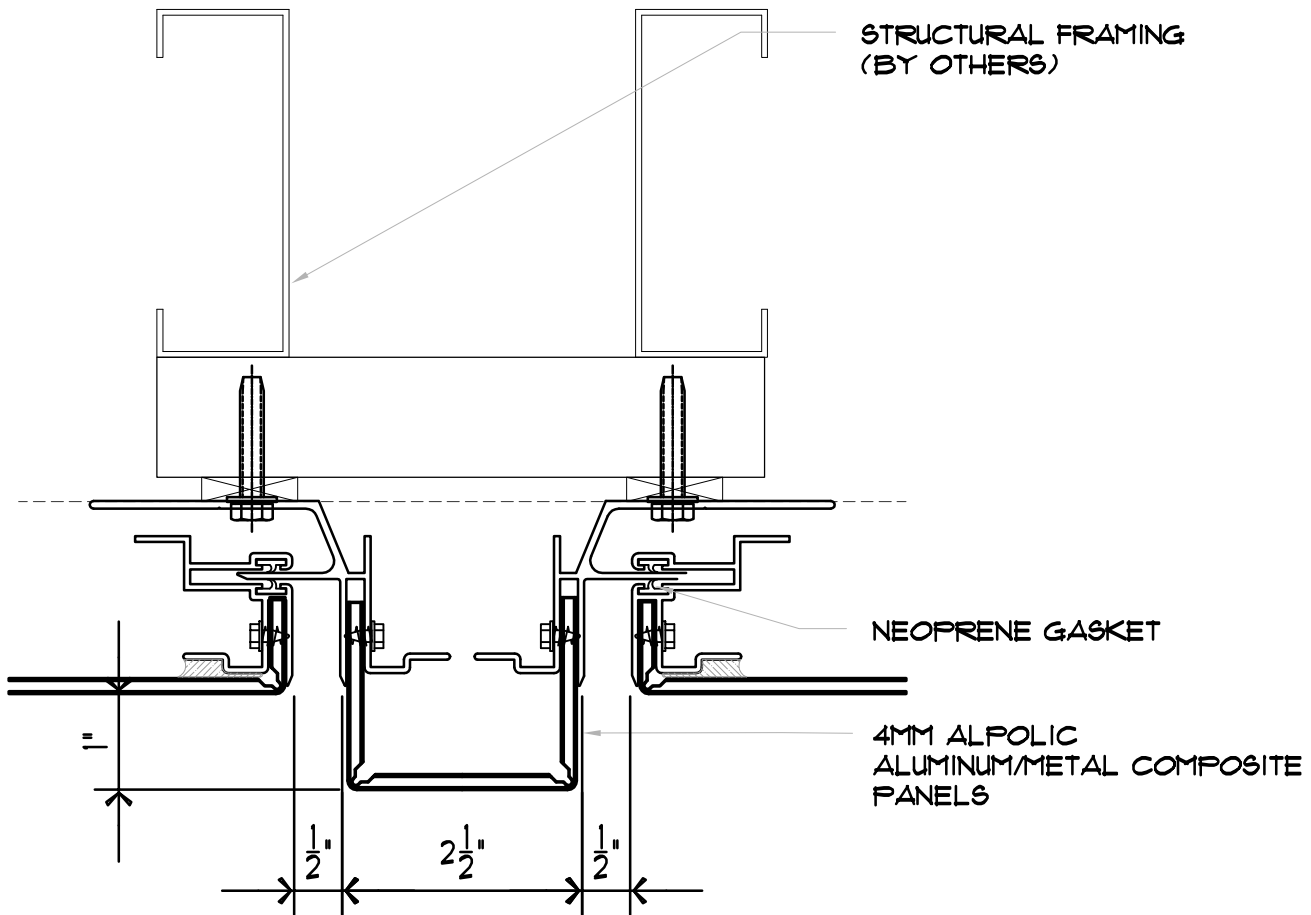


5 HEAD DETAIL

DS SCALE: 6" = 1'-0"

ALPOLIC®

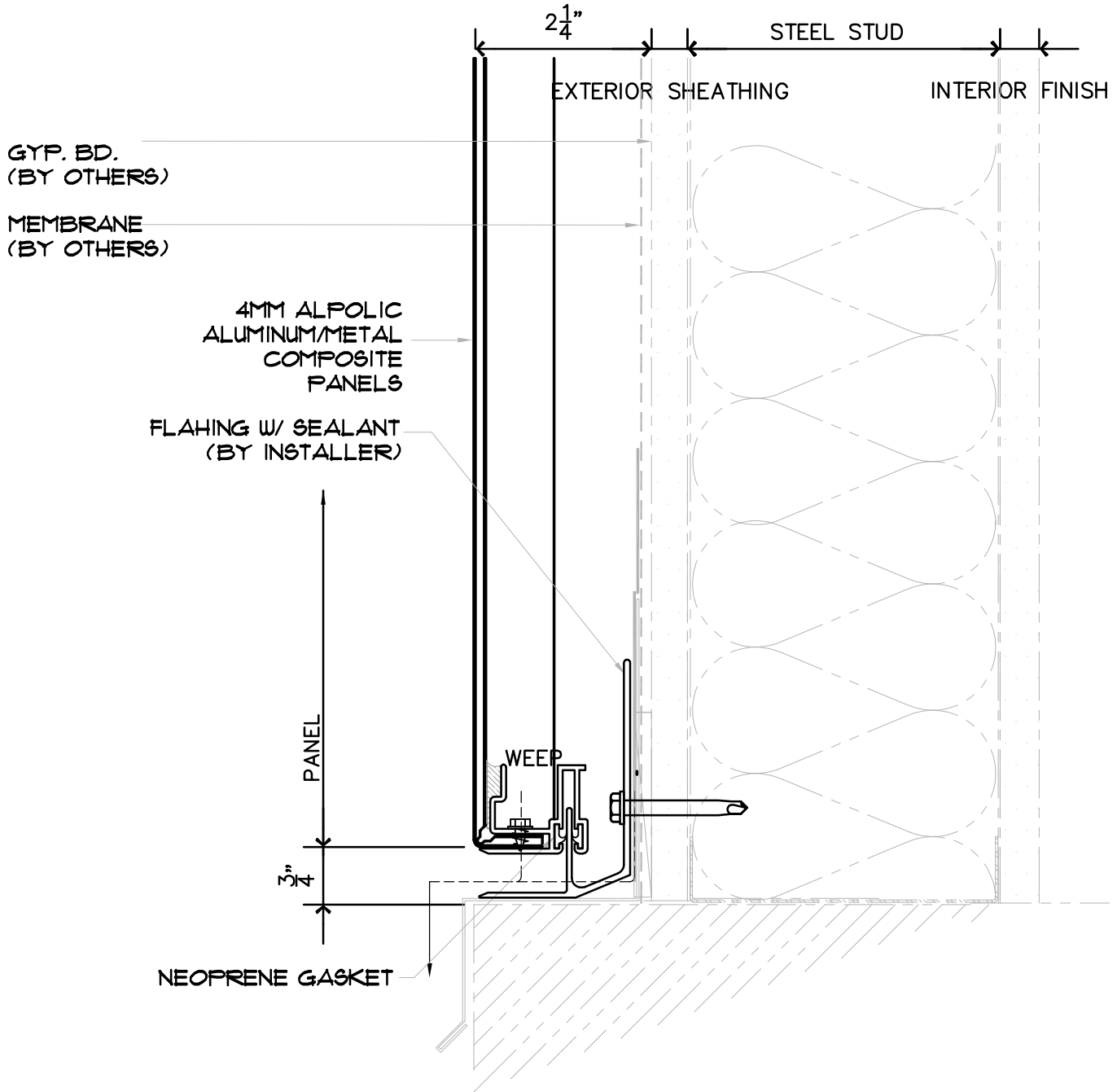
DRY SEAL SYSTEM
10.01.05
www.alpolic-usa.com



6 BATTEN DETAIL
DS SCALE: 6" = 1'-0"

ALPOLIC[®]

DRY SEAL SYSTEM
10.01.05
www.alpolic-usa.com



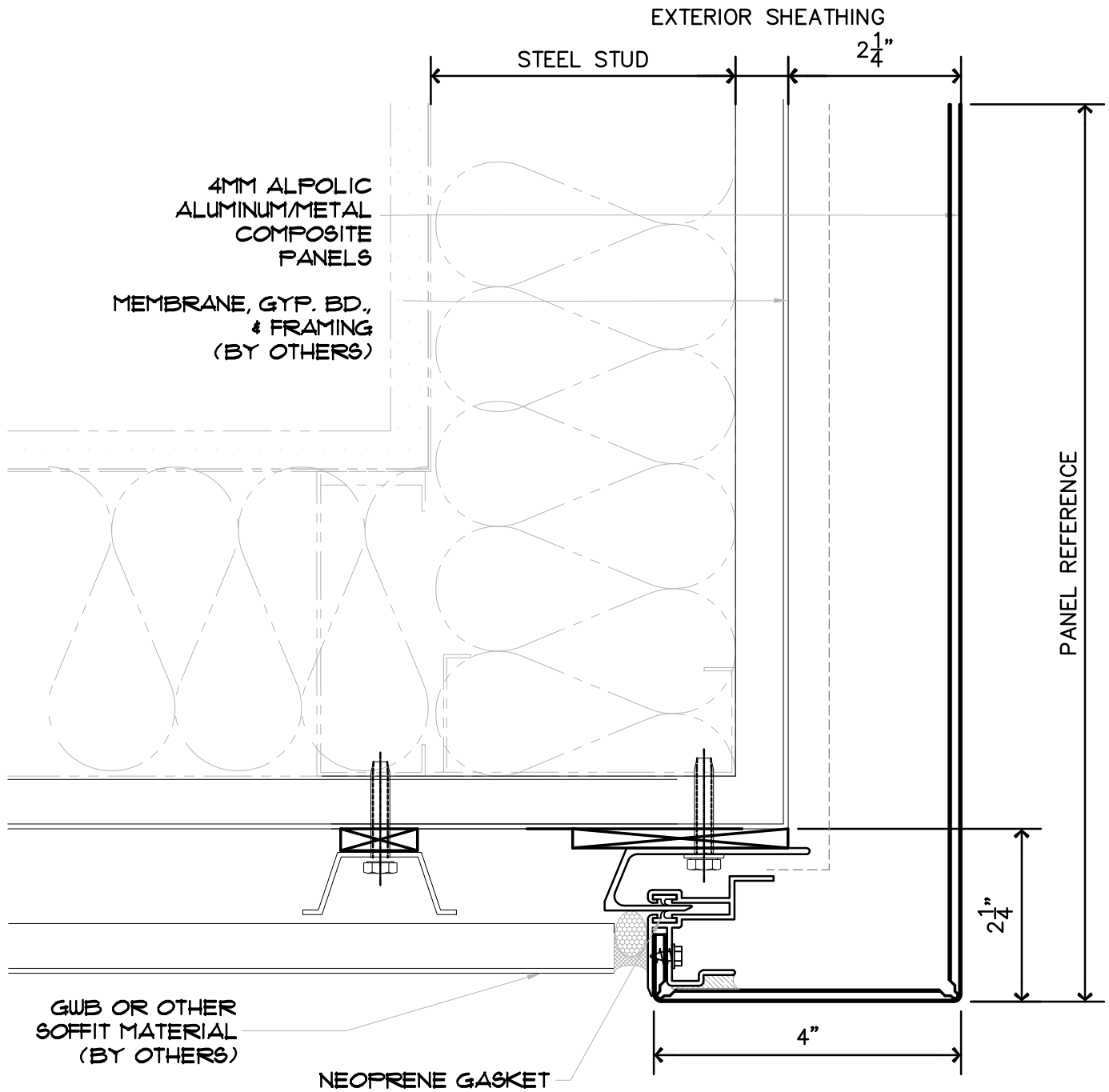
7
DS

BASE CONDITION

SCALE: 6" = 1'-0"

ALPOLIC[®]

DRY SEAL SYSTEM
10.01.05
www.alpolyc-usa.com



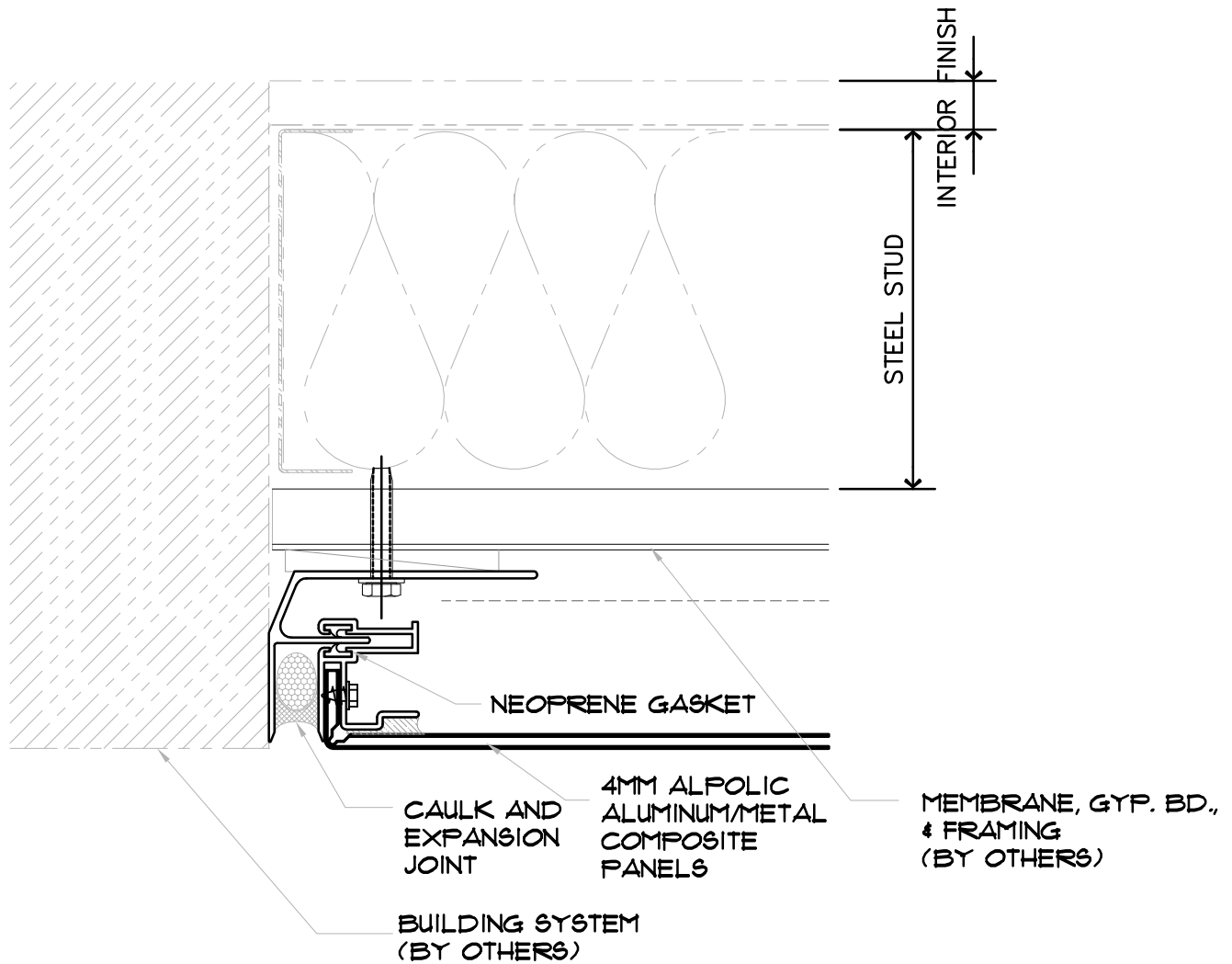
8
DS

SOFFIT DETAIL

SCALE: 6" = 1'-0"

ALPOLIC®

DRY SEAL SYSTEM
10.01.05
www.alpolic-usa.com



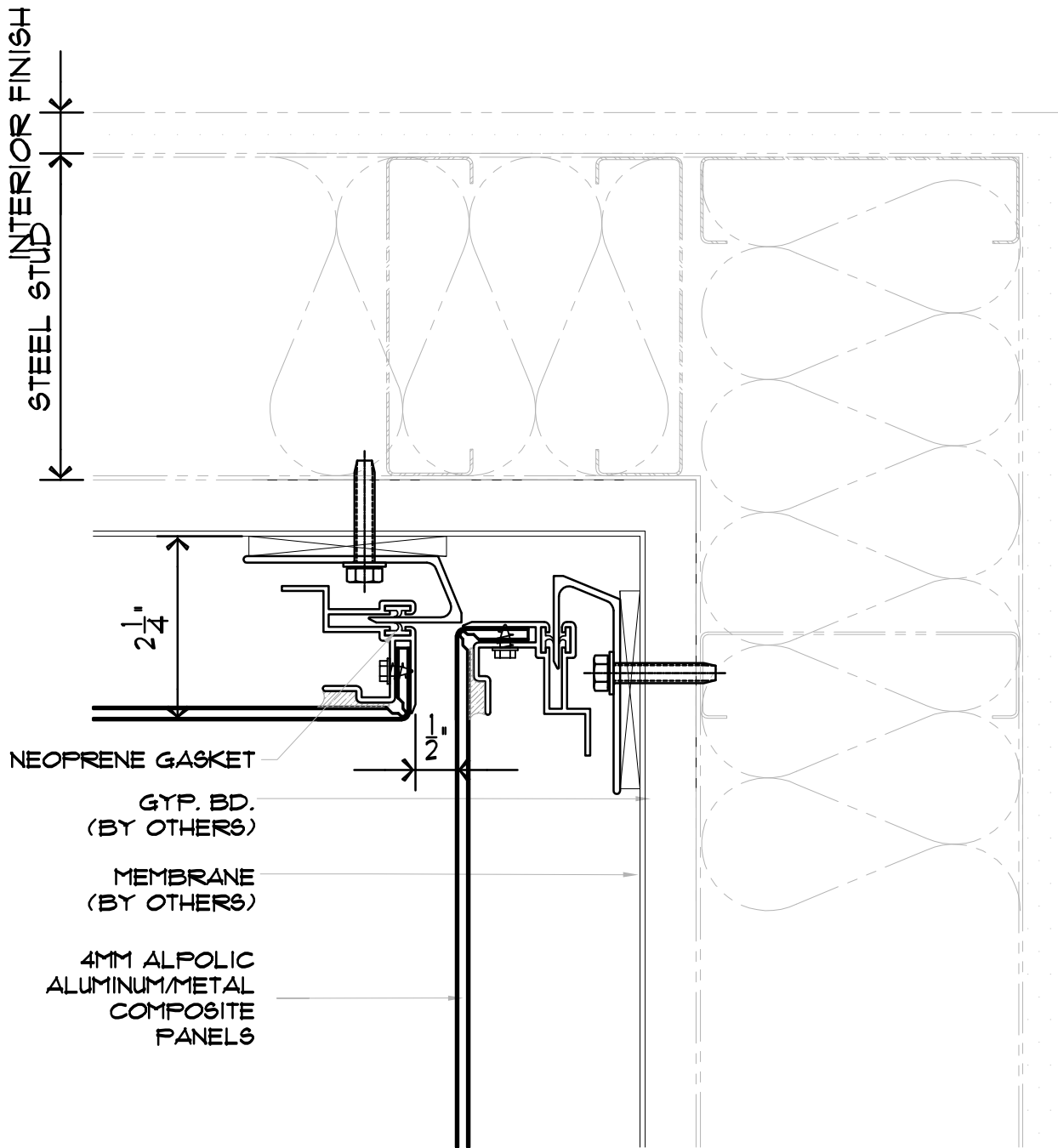
9
DS

ABUTEMENT DETAIL

SCALE: FULL

ALPOLIC®

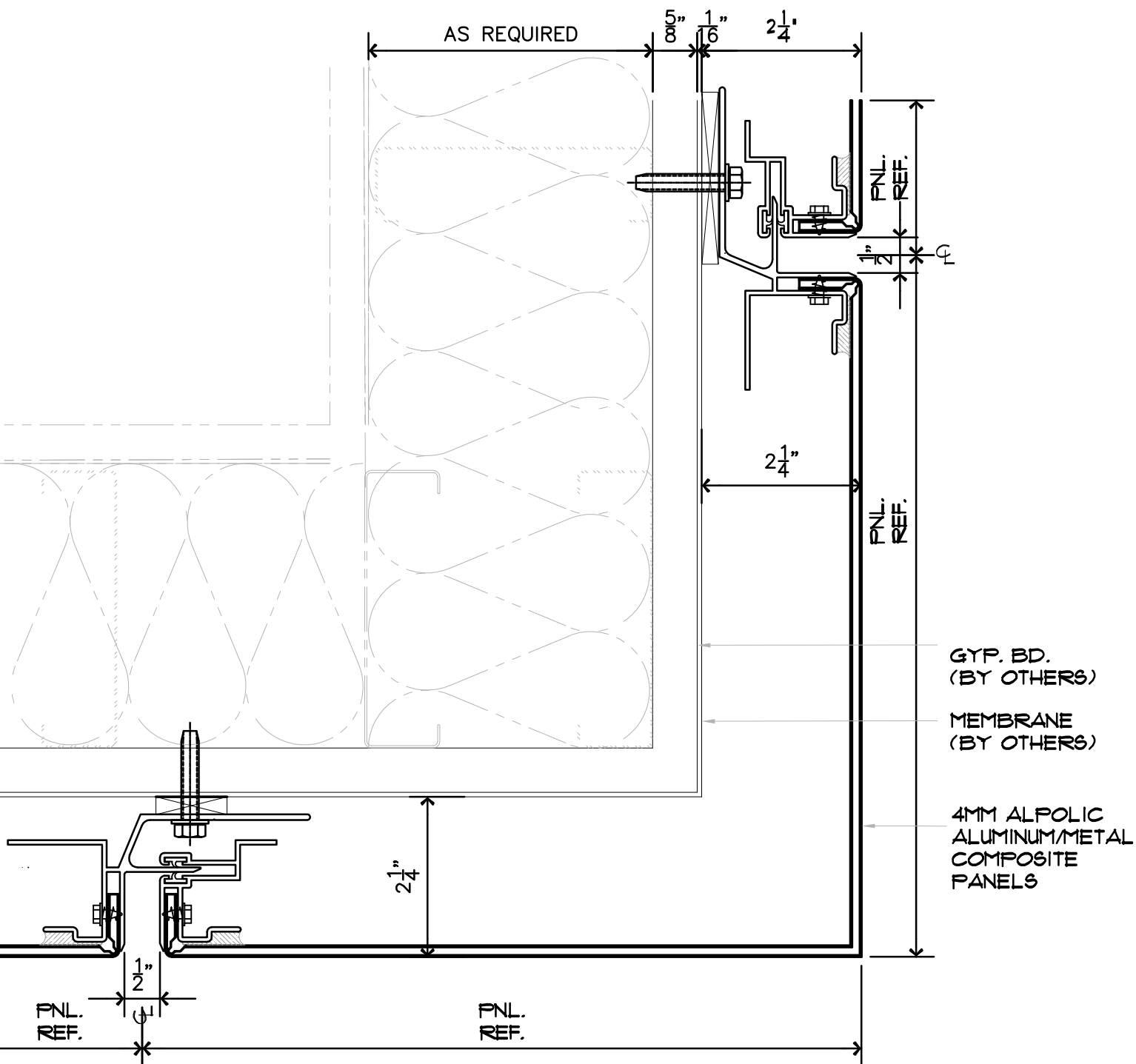
DRY SEAL SYSTEM
10.01.05
www.alpolic-usa.com



10 INSIDE CORNER
DS SCALE: 6" = 1'-0"

ALPOLIC®

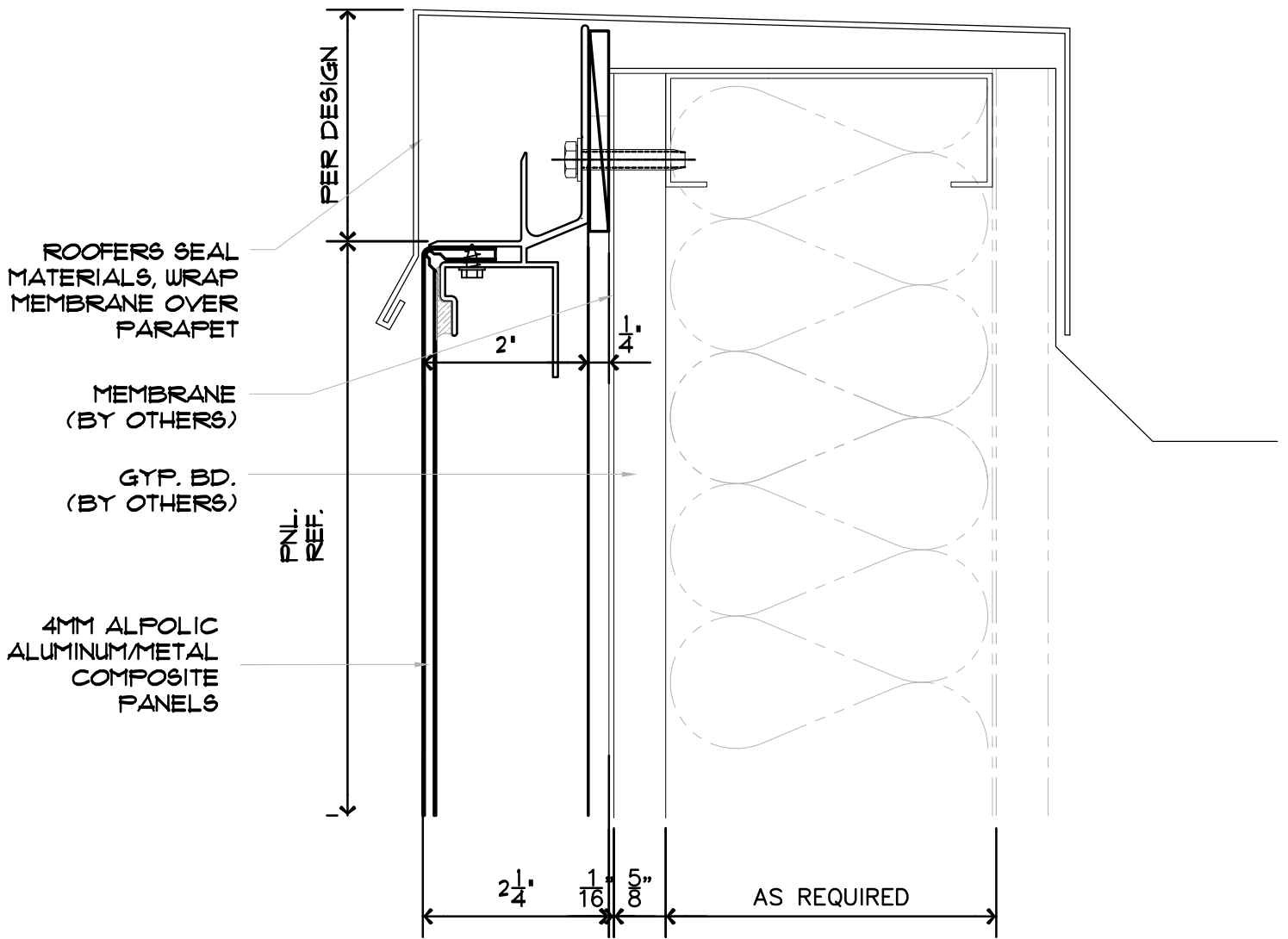
DRY SEAL SYSTEM
10.01.05
www.alpolic-usa.com



11 OUTSIDE CORNER
 DS SCALE: 6" = 1'-0"

ALPOLIC®

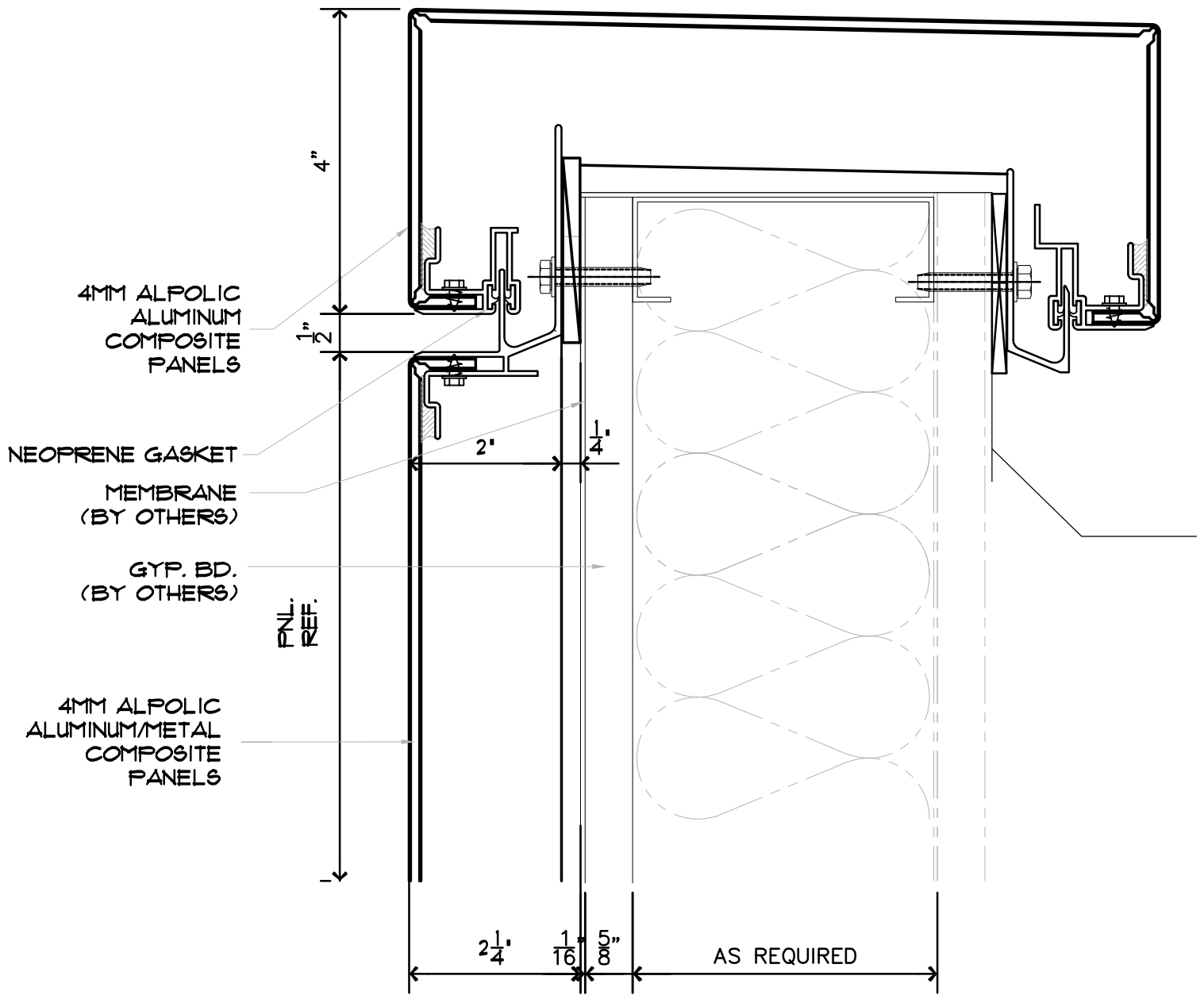
DRY SEAL SYSTEM
 10.01.05
www.alpolic-usa.com



12 PARAPET DETAIL
 DS SCALE: 6" = 1'-0"

ALPOLIC®

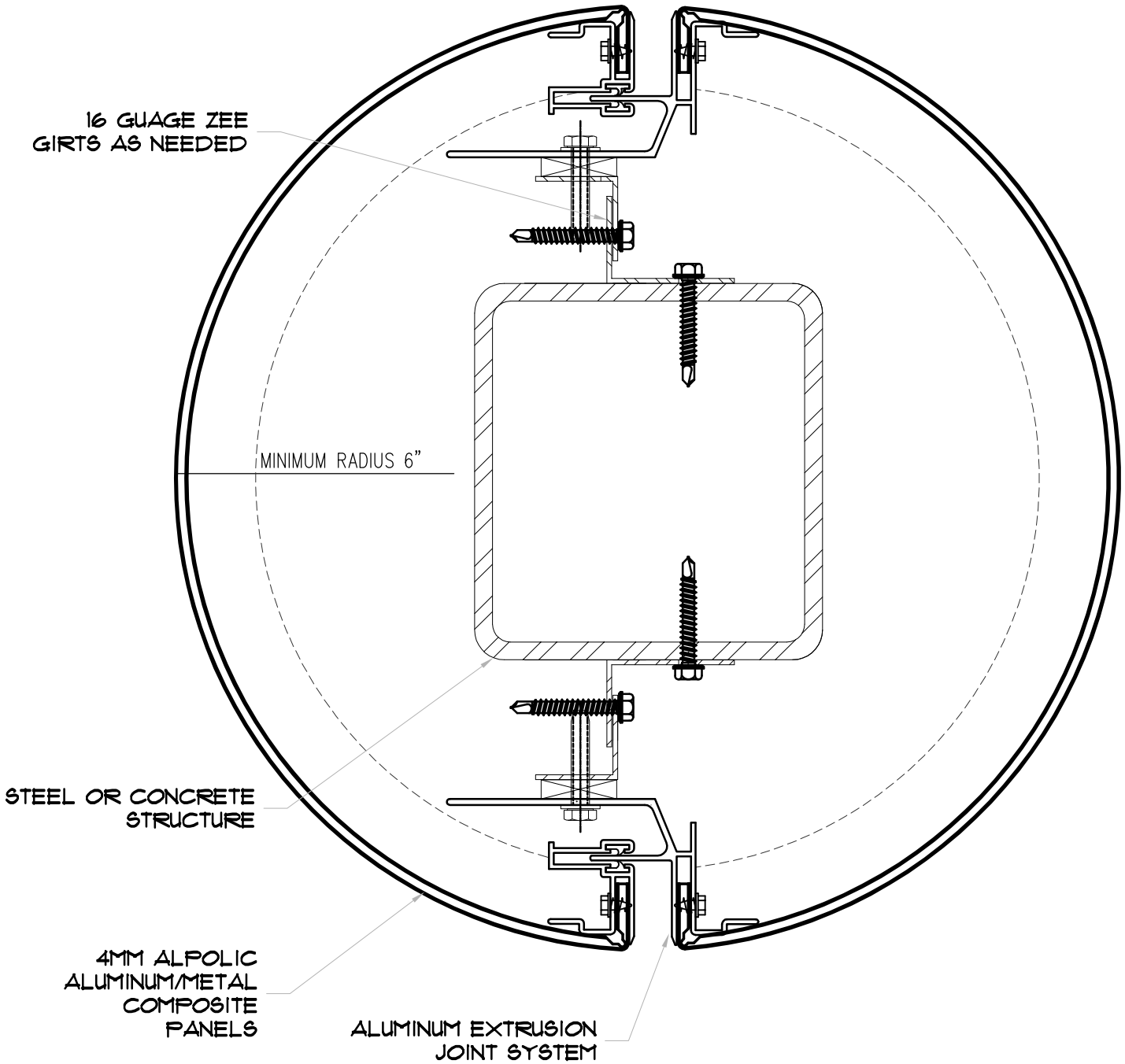
DRY SEAL SYSTEM
 10.01.05
www.alpolic-usa.com



12A PARAPET DETAIL OPTION 2
 DS SCALE: 6" = 1'-0"

ALPOLIC®

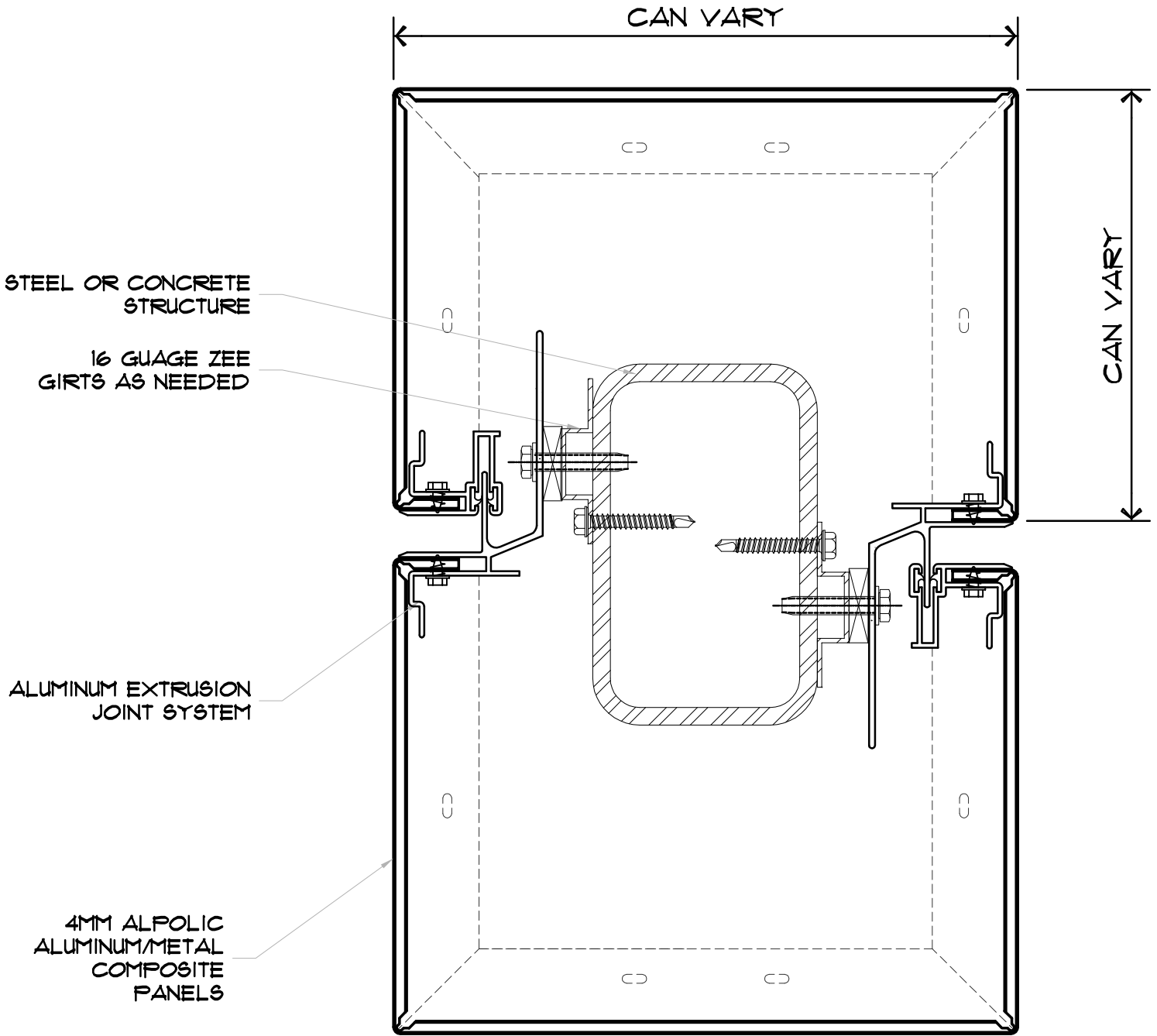
DRY SEAL SYSTEM
 10.01.05
www.alpolic-usa.com



13 DS CIRCULAR COLUMN
 SCALE: 6" = 1'-0"

ALPOLIC[®]

DRY SEAL SYSTEM
 10.01.05
www.alpoliC-usa.com



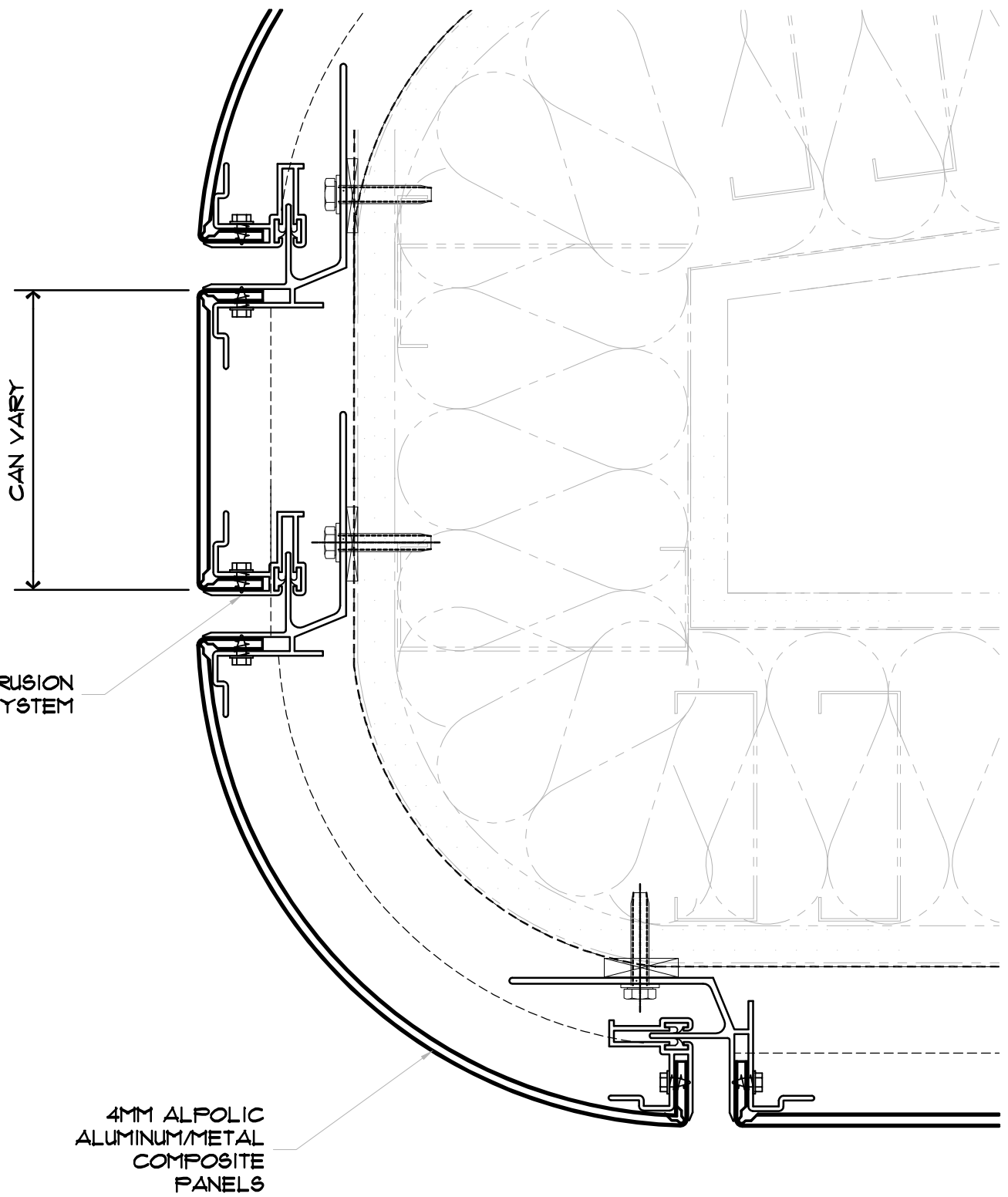
14
DS

SQUARE COLUMN

SCALE: 6" = 1'-0"

ALPOLIC[®]

DRY SEAL SYSTEM
10.01.05
www.alpolic-usa.com



ALUMINUM EXTRUSION
JOINT SYSTEM

CAN VARY

4MM ALPOLIC
ALUMINUM/METAL
COMPOSITE
PANELS

15 CANOPY/SUNSHADE
DS SCALE: 6" = 1'-0"

ALPOLIC®

DRY SEAL SYSTEM
10.01.05
www.alpolic-usa.com