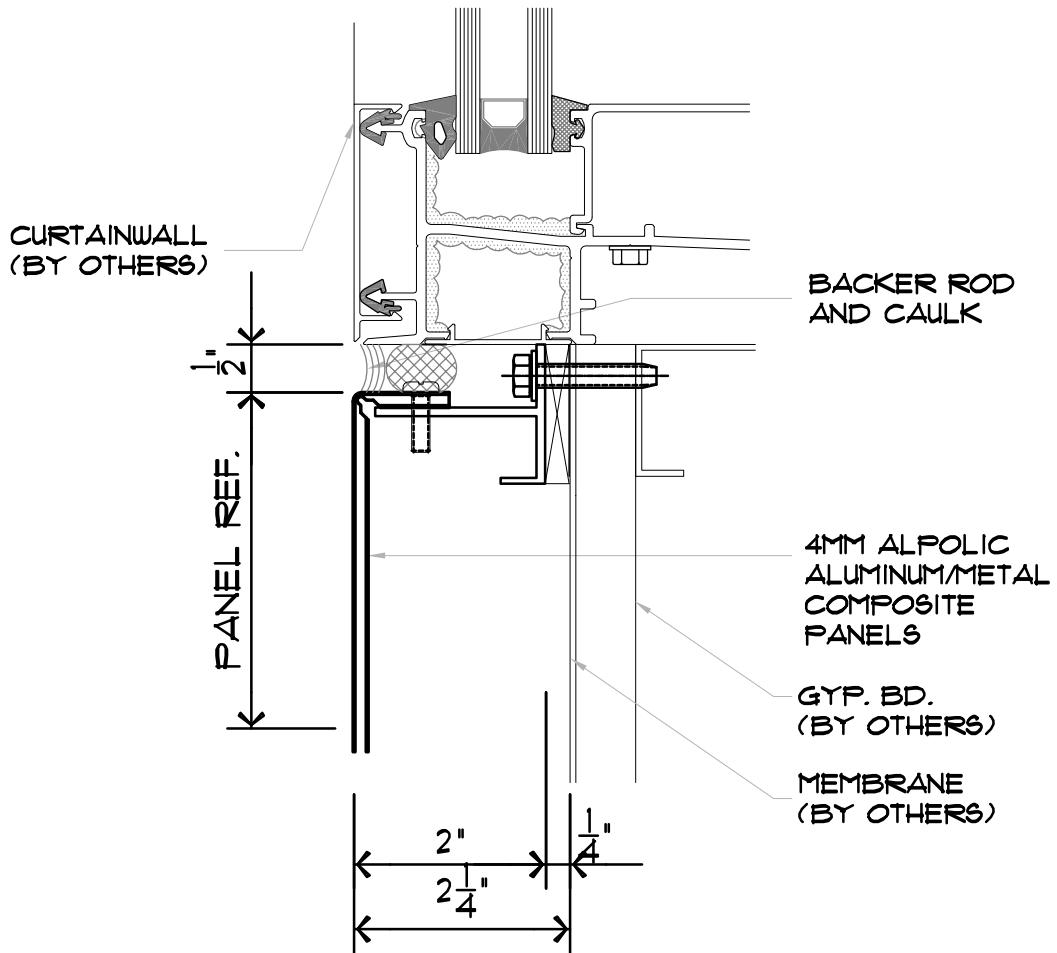


ALPOLIC[®]

WET SEAL SYSTEM
10.01.05
www.alpolic-usa.com



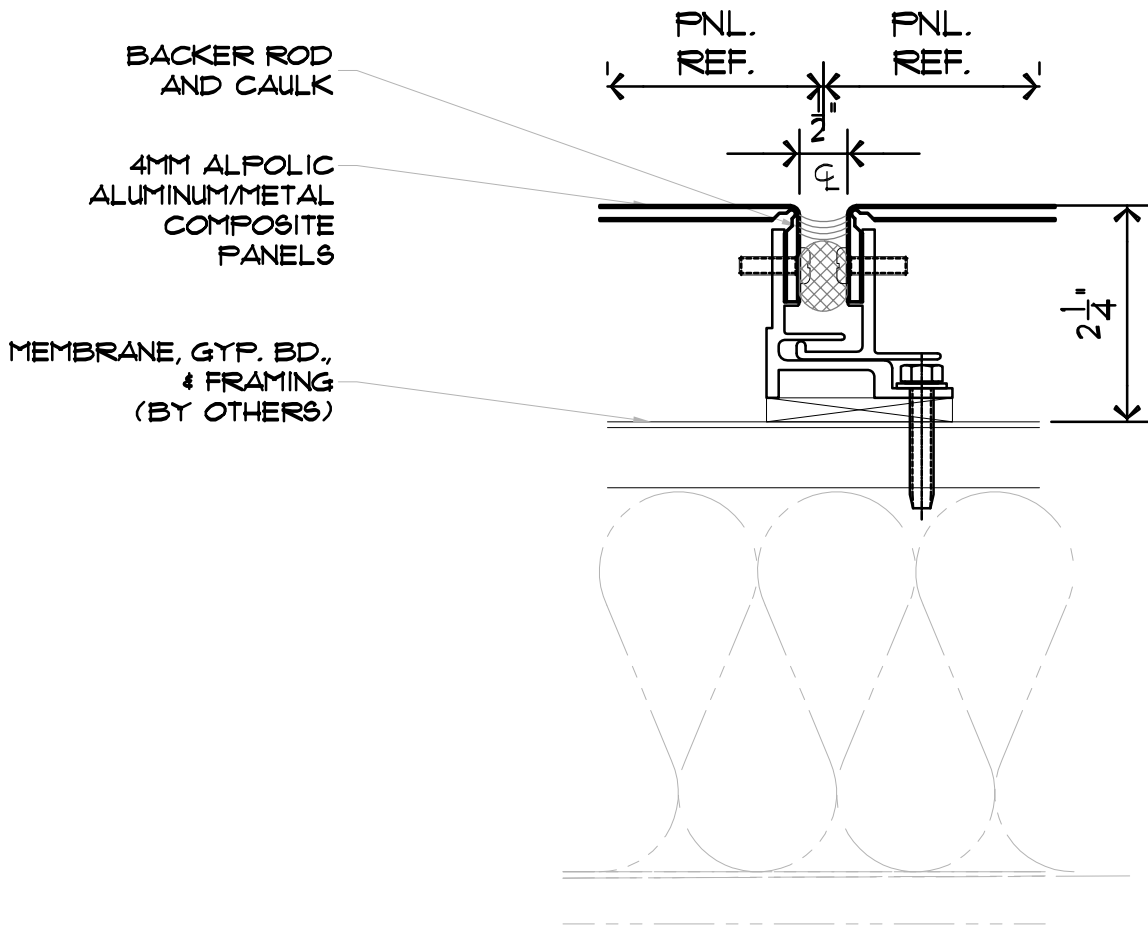
1
WS

SILL DETAIL

SCALE: 6" = 1'-0"

ALPOLIC®

WET SEAL SYSTEM
10.01.05
www.alpolic-usa.com

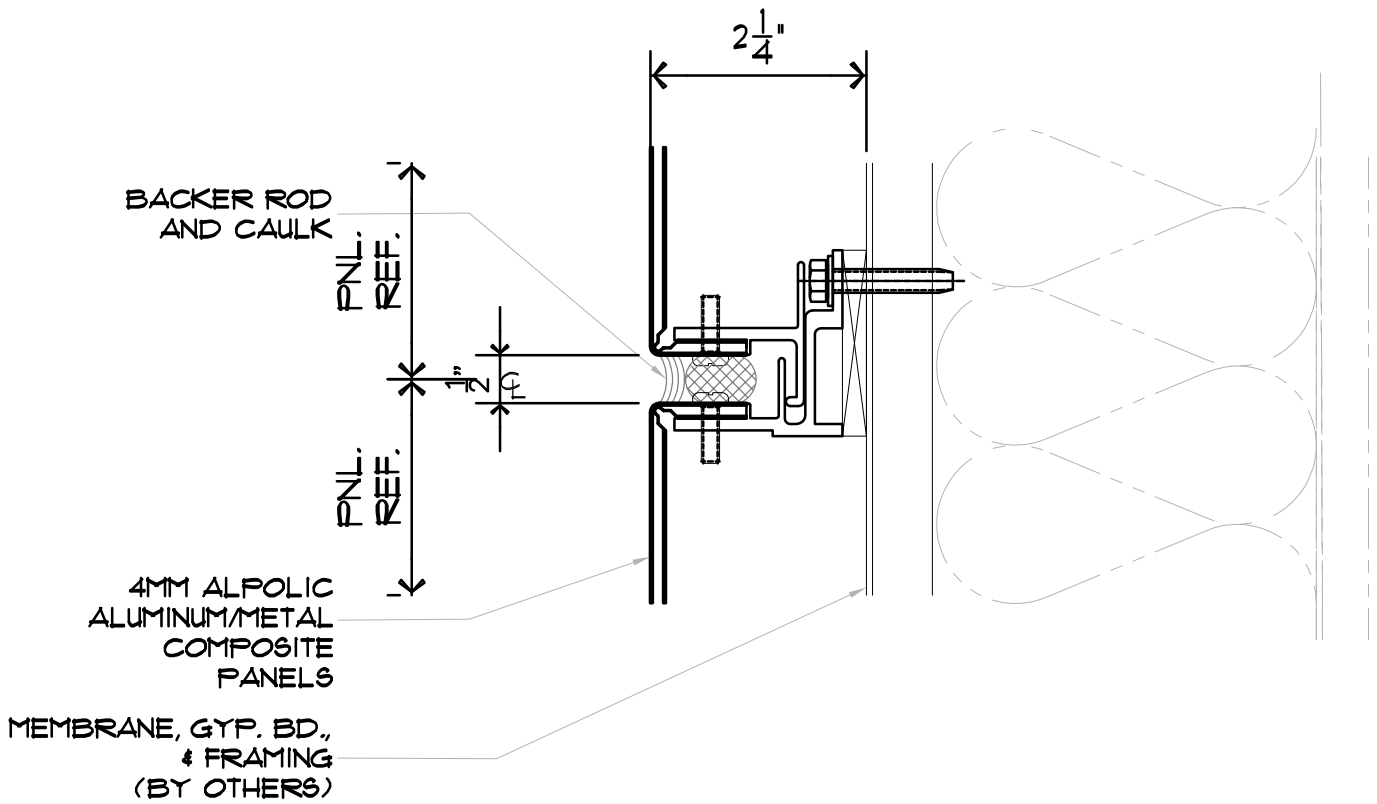


2
 WS

 VERTICAL JOINT
 SCALE: 6" = 1'-0"

ALPOLIC[®]

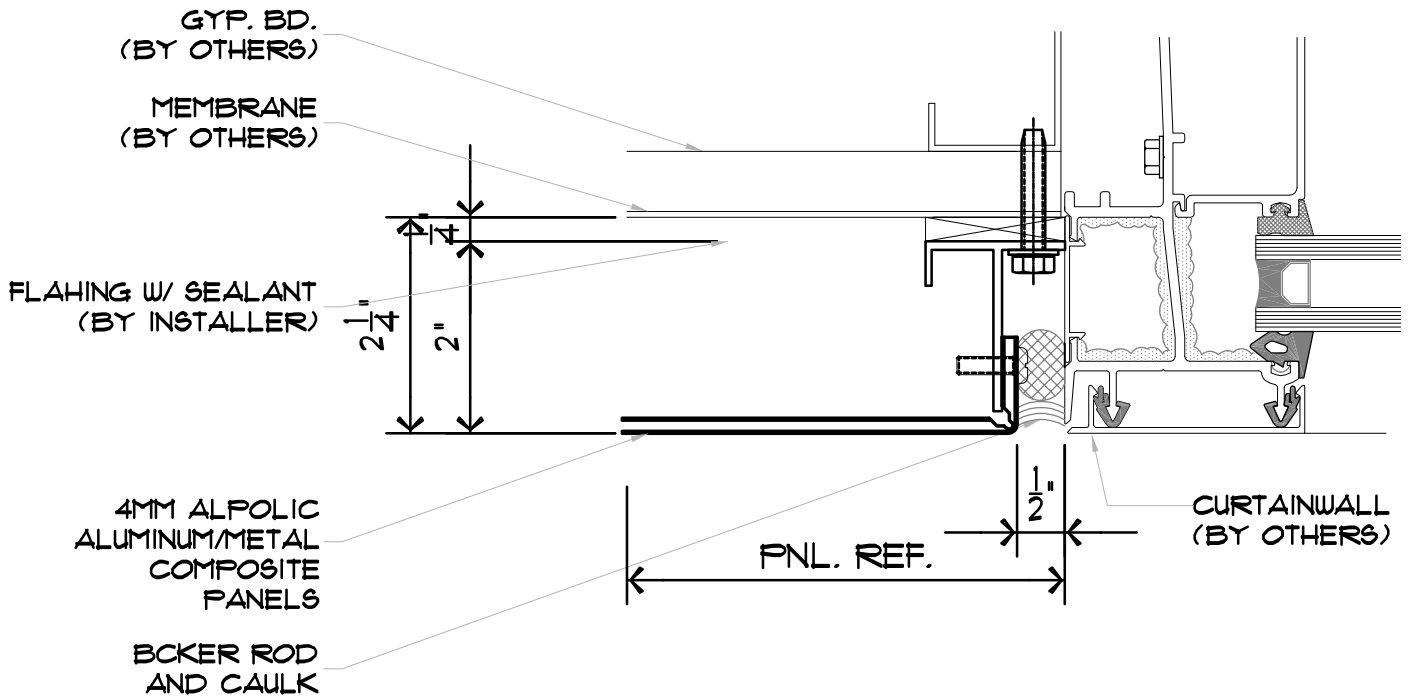
WET SEAL SYSTEM
 10.01.05
www.alpolic-usa.com



3 HORIZONTAL JOINT
 WS SCALE: 6" = 1'-0"

ALPOLIC®

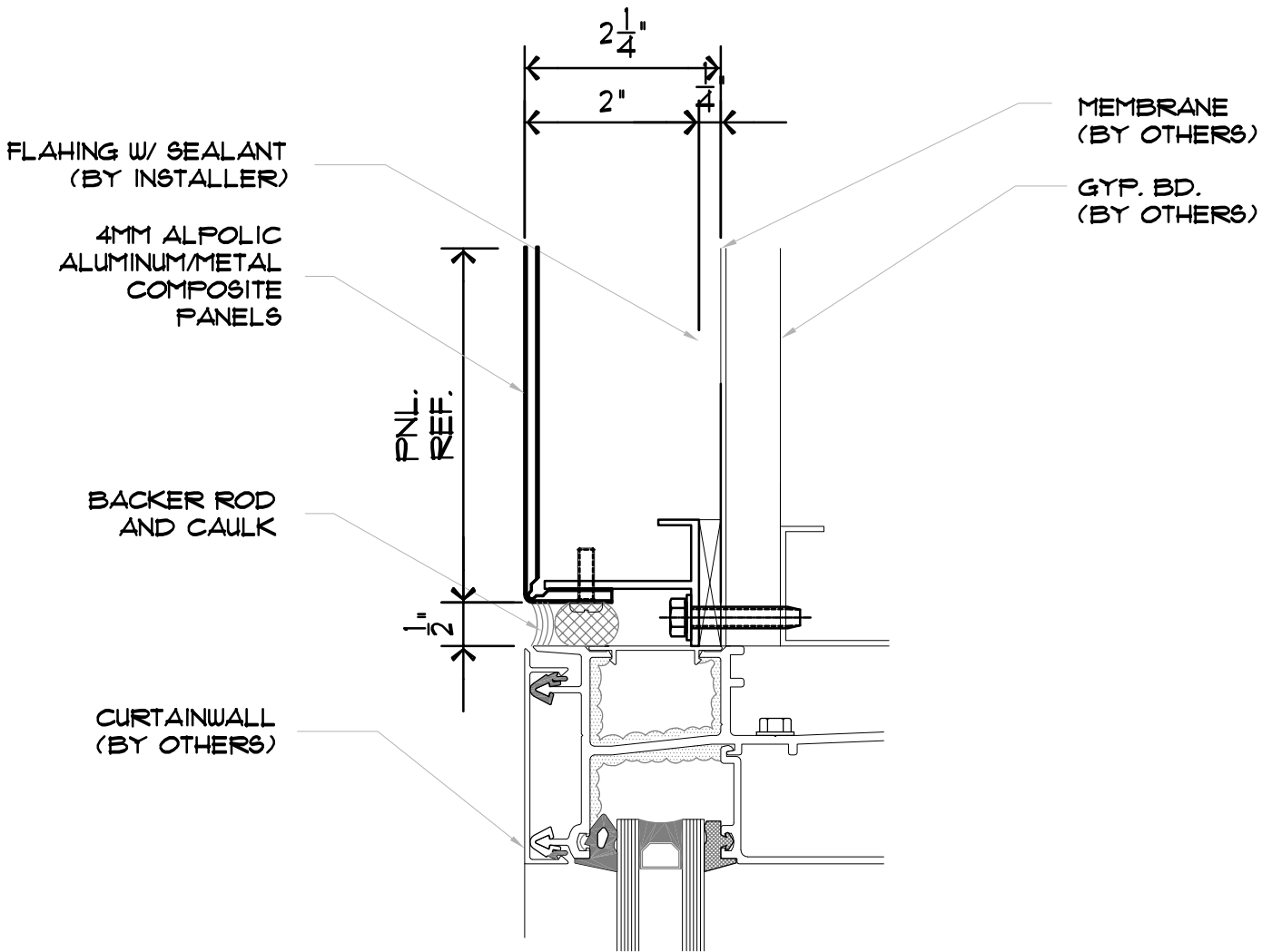
WET SEAL SYSTEM
 10.01.05
www.alpolic-usa.com



4 JAMB DETAIL
 WS SCALE: 6" = 1'-0"

ALPOLIC®

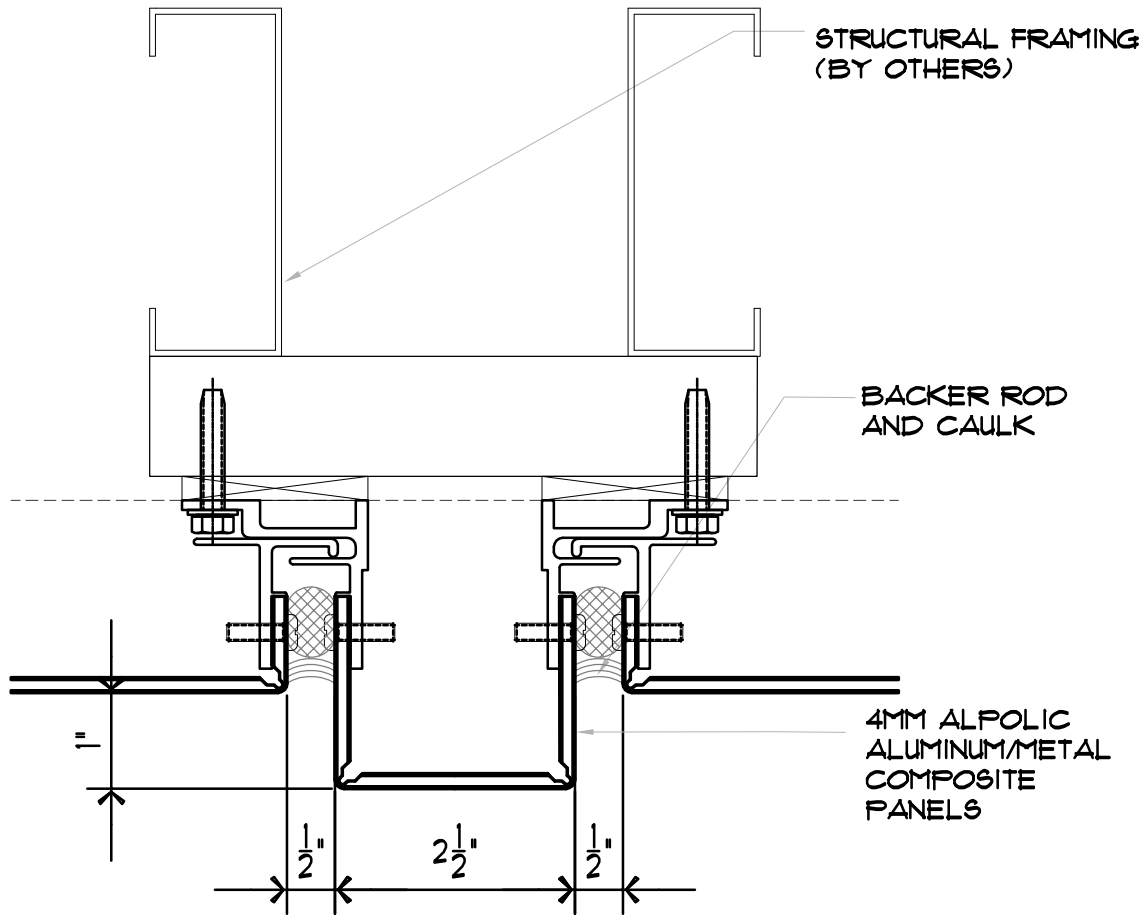
WET SEAL SYSTEM
 10.01.05
 www.alpolic-usa.com



5 HEAD DETAIL
 WS SCALE: 6" = 1'-0"

ALPOLIC®

WET SEAL SYSTEM
 10.01.05
 www.alpolic-usa.com



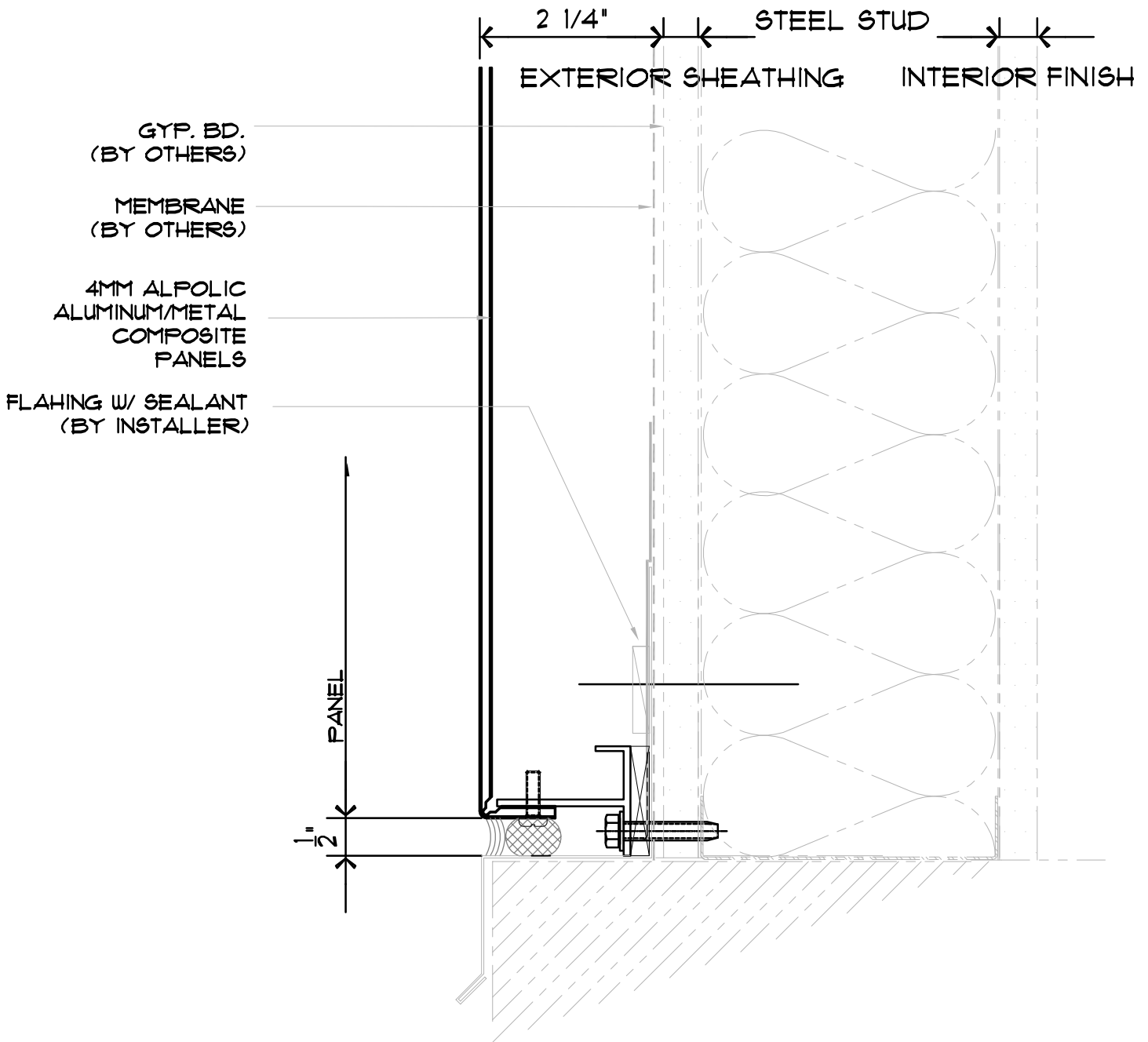
6
WS

BATTEN DETAIL

SCALE: 6" = 1'-0"

ALPOLIC®

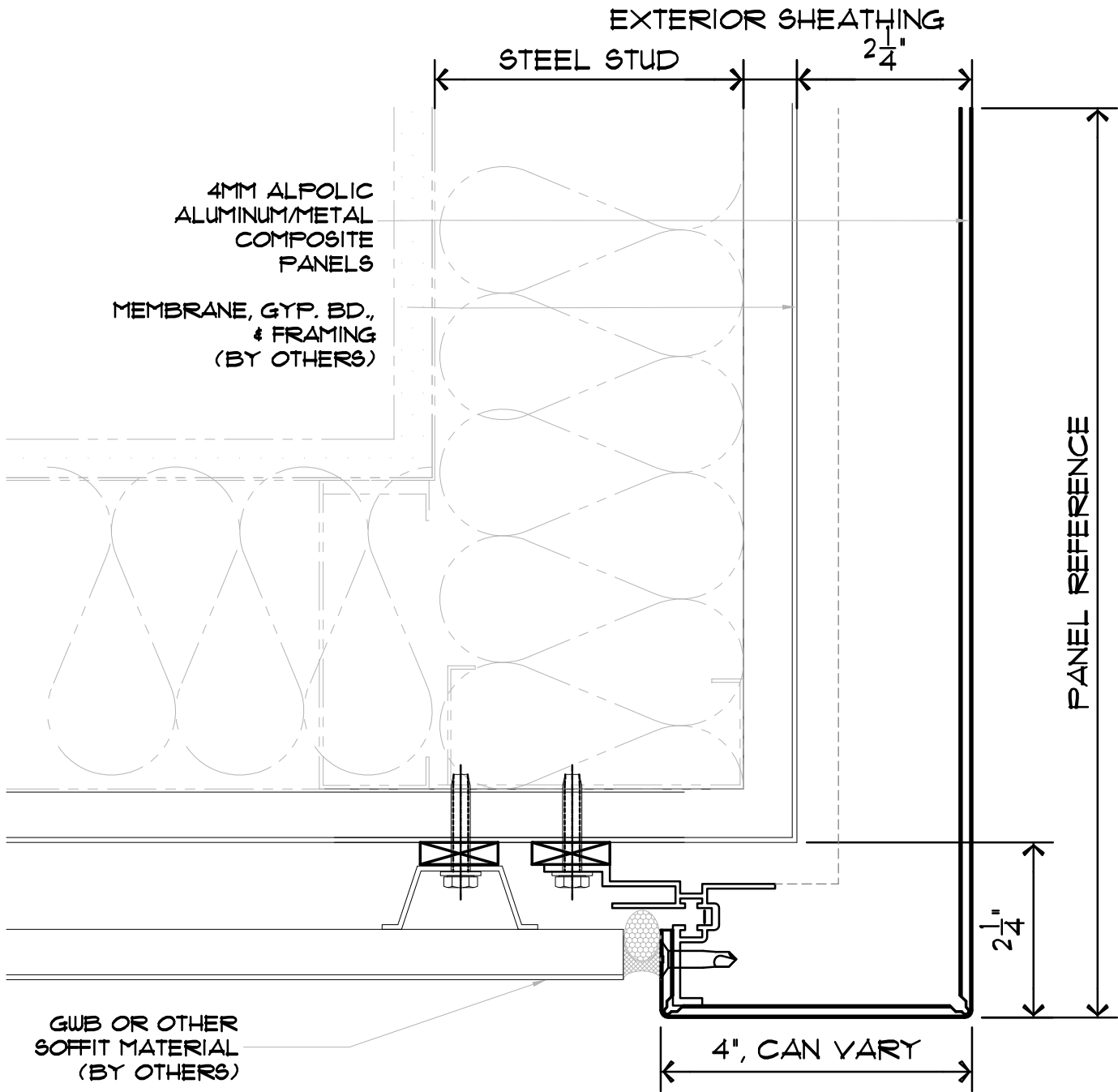
WET SEAL SYSTEM
10.01.05
www.alpolic-usa.com



7 BASE CONDITION
WS SCALE: 6" = 1'-0"

ALPOLIC®

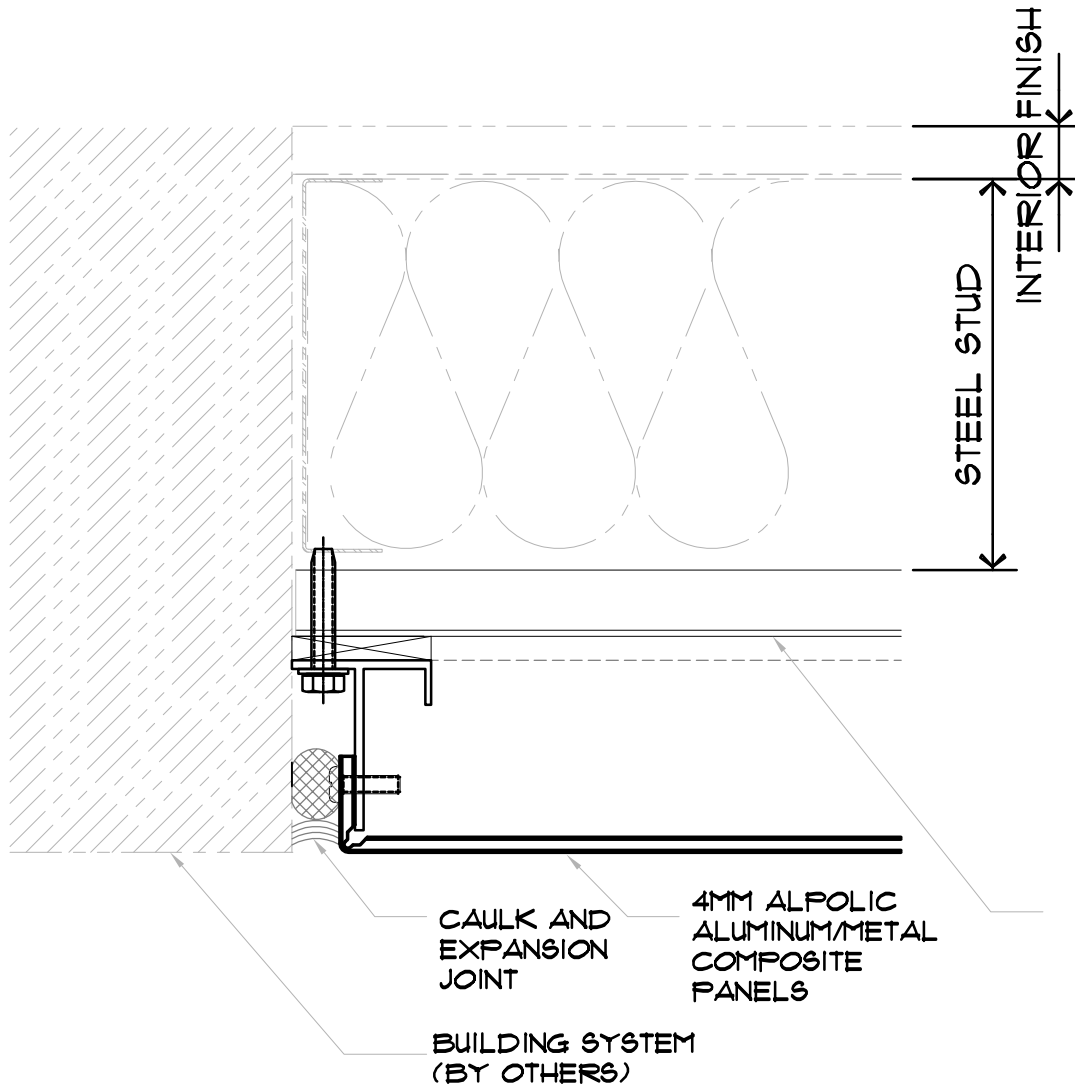
WET SEAL SYSTEM
10.01.05
www.alpolic-usa.com



8 TYP SOFFIT DETAIL
 WS SCALE: 6" = 1'-0"

ALPOLIC[®]

WET SEAL SYSTEM
 10.01.05
www.alpolic-usa.com



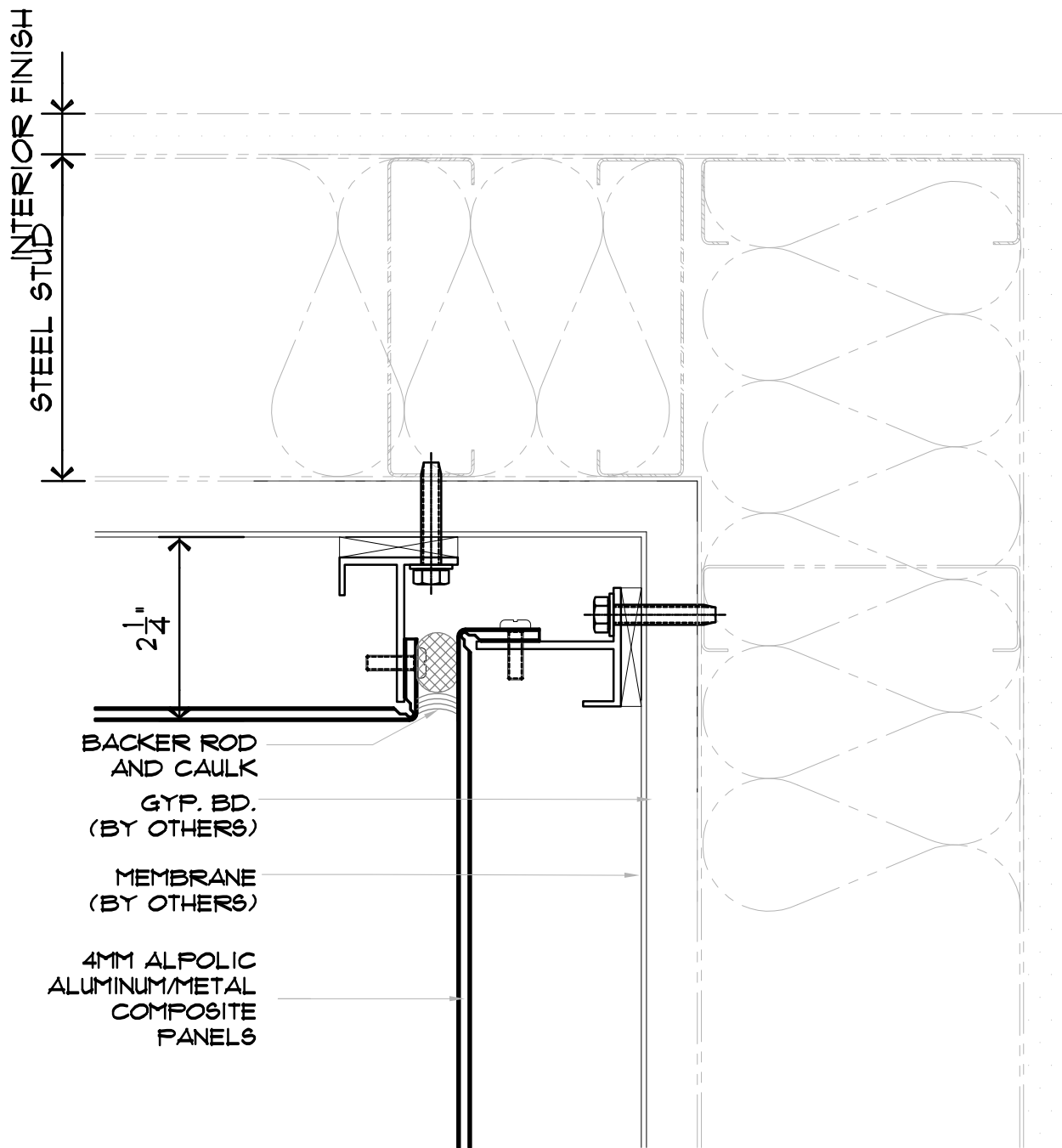
9
WS

ABUTEMENT DETAIL

SCALE: 6" = 1'-0"

ALPOLIC[®]

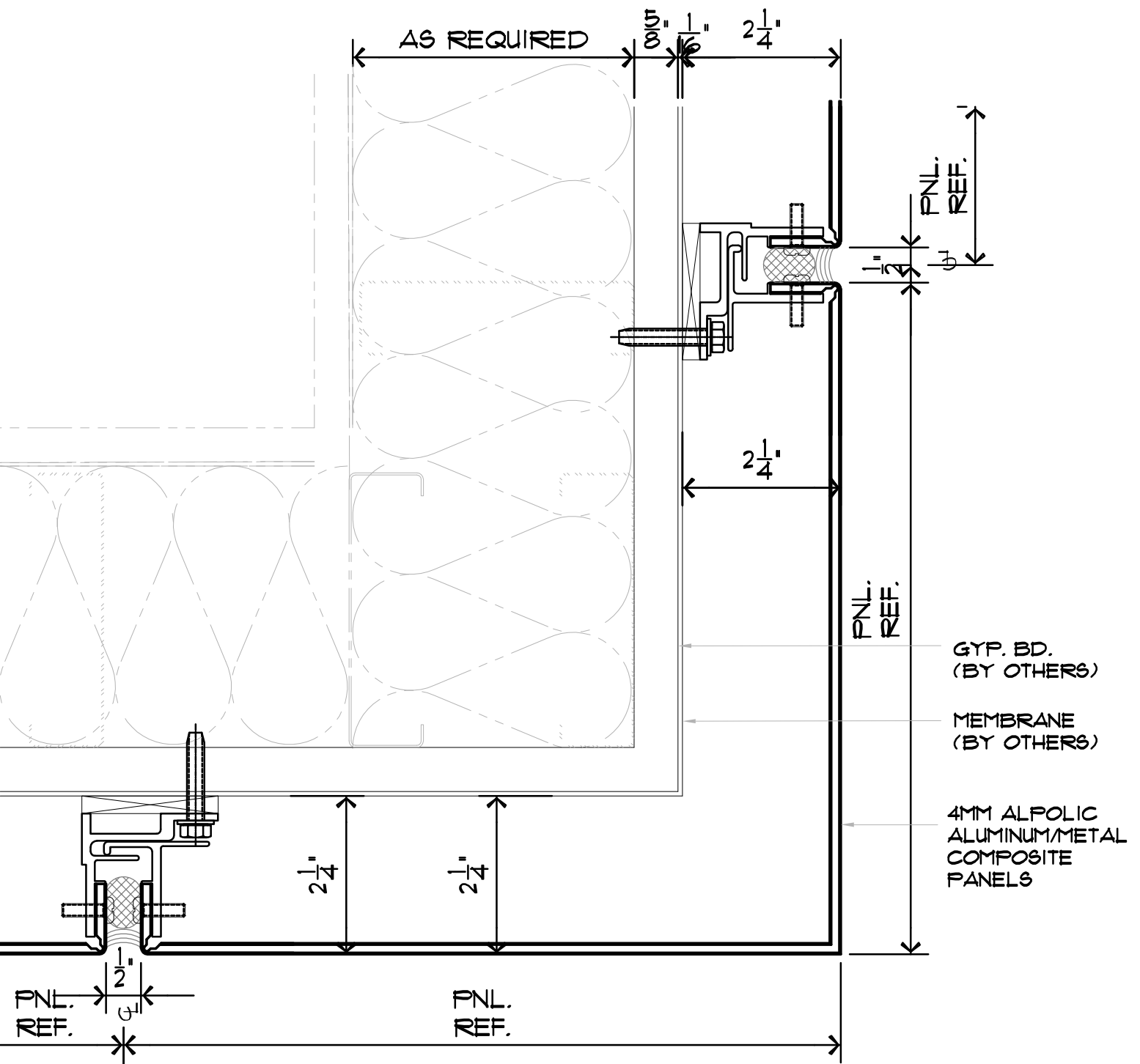
WET SEAL SYSTEM
10.01.05
www.alpolic-usa.com



10 INSIDE CORNER
 WS SCALE: 6" = 1'-0"

ALPOLIC®

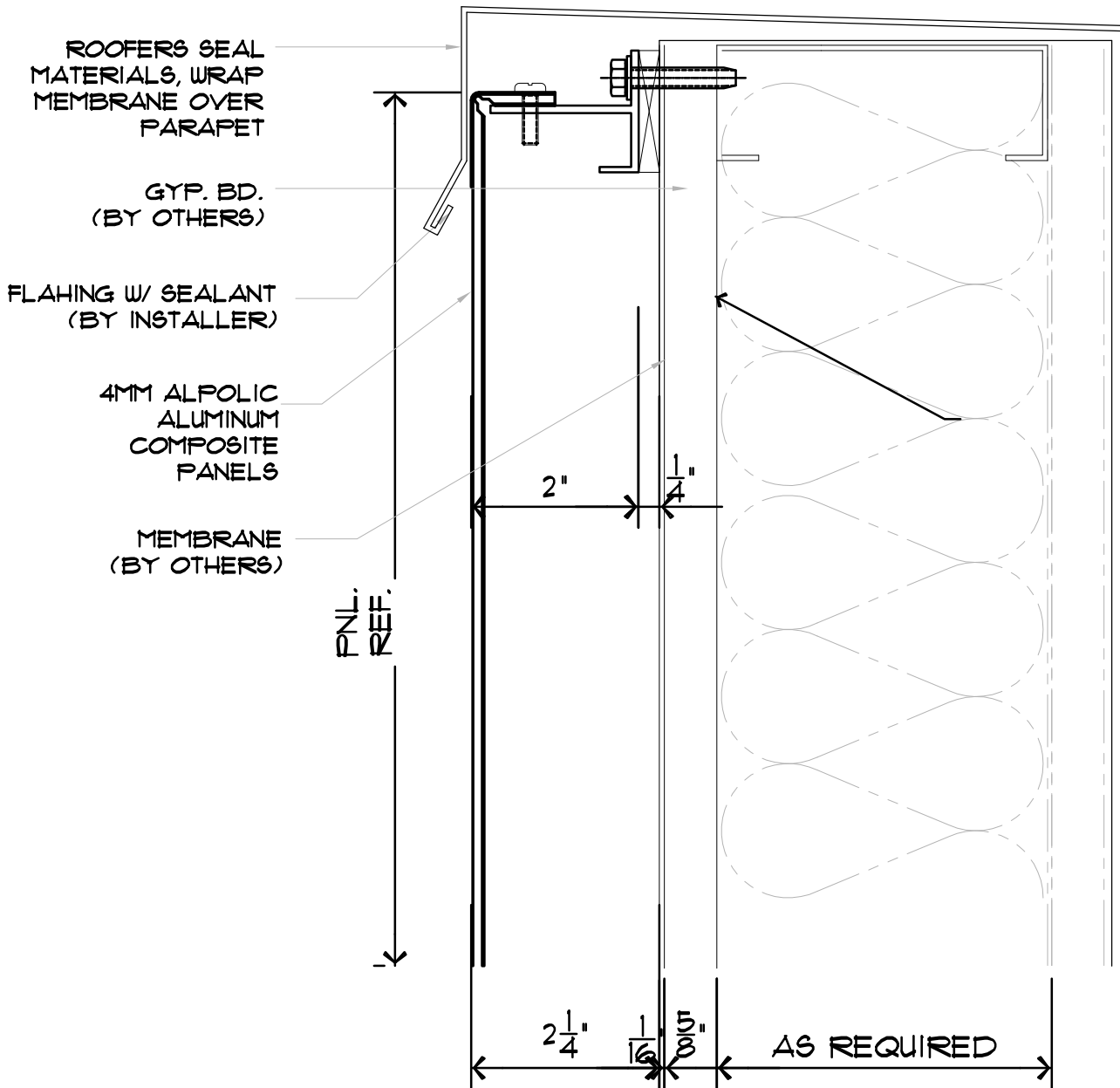
WET SEAL SYSTEM
 10.01.05
www.alpolic-usa.com



11 OUTSIDE CORNER
 WS SCALE: 6" = 1'-0"

ALPOLIC®

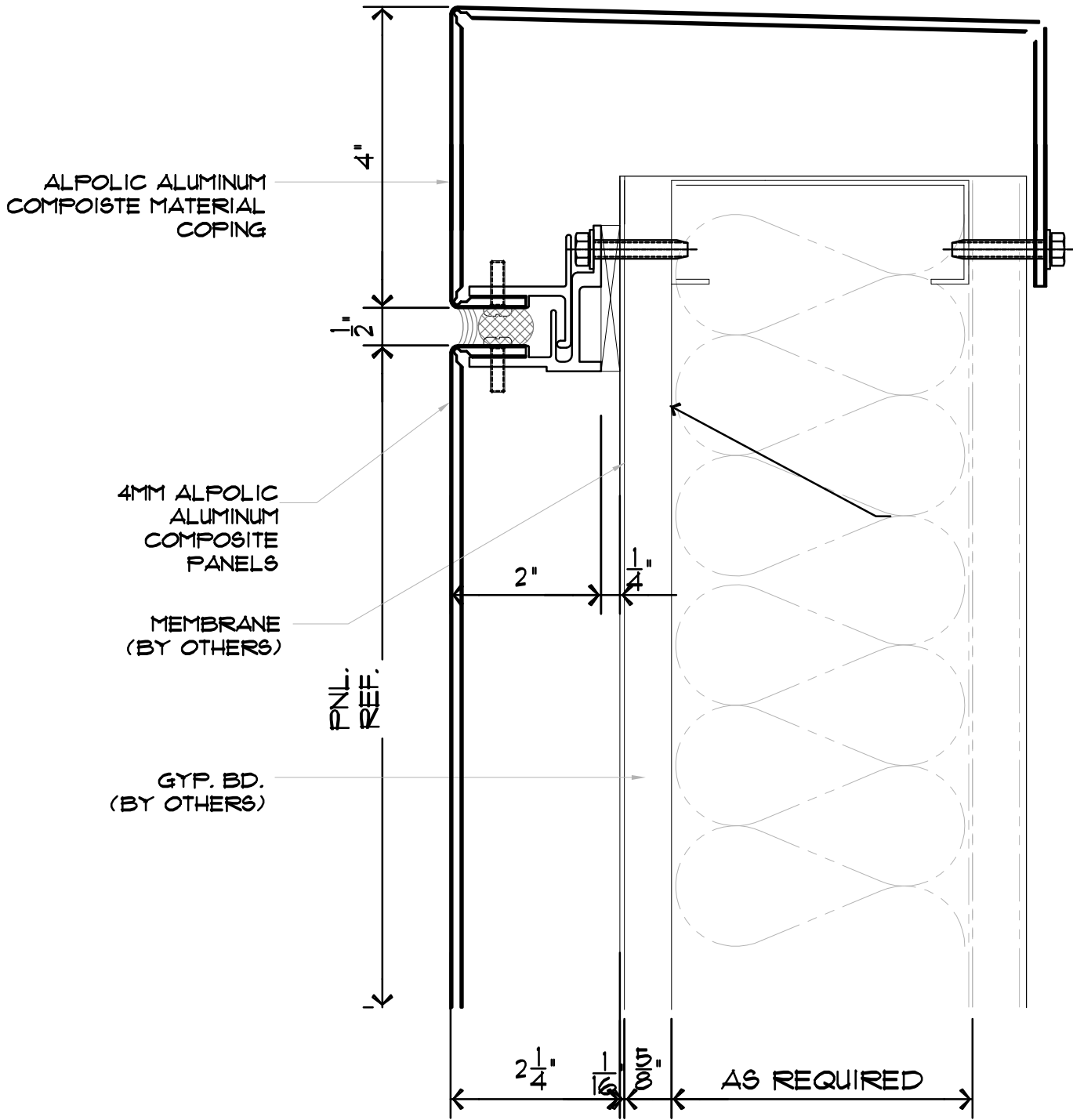
WET SEAL SYSTEM
 10.01.05
 www.alpolic-usa.com



12 PARAPET DETAIL
 WS SCALE: 6" = 1'-0"

ALPOLIC®

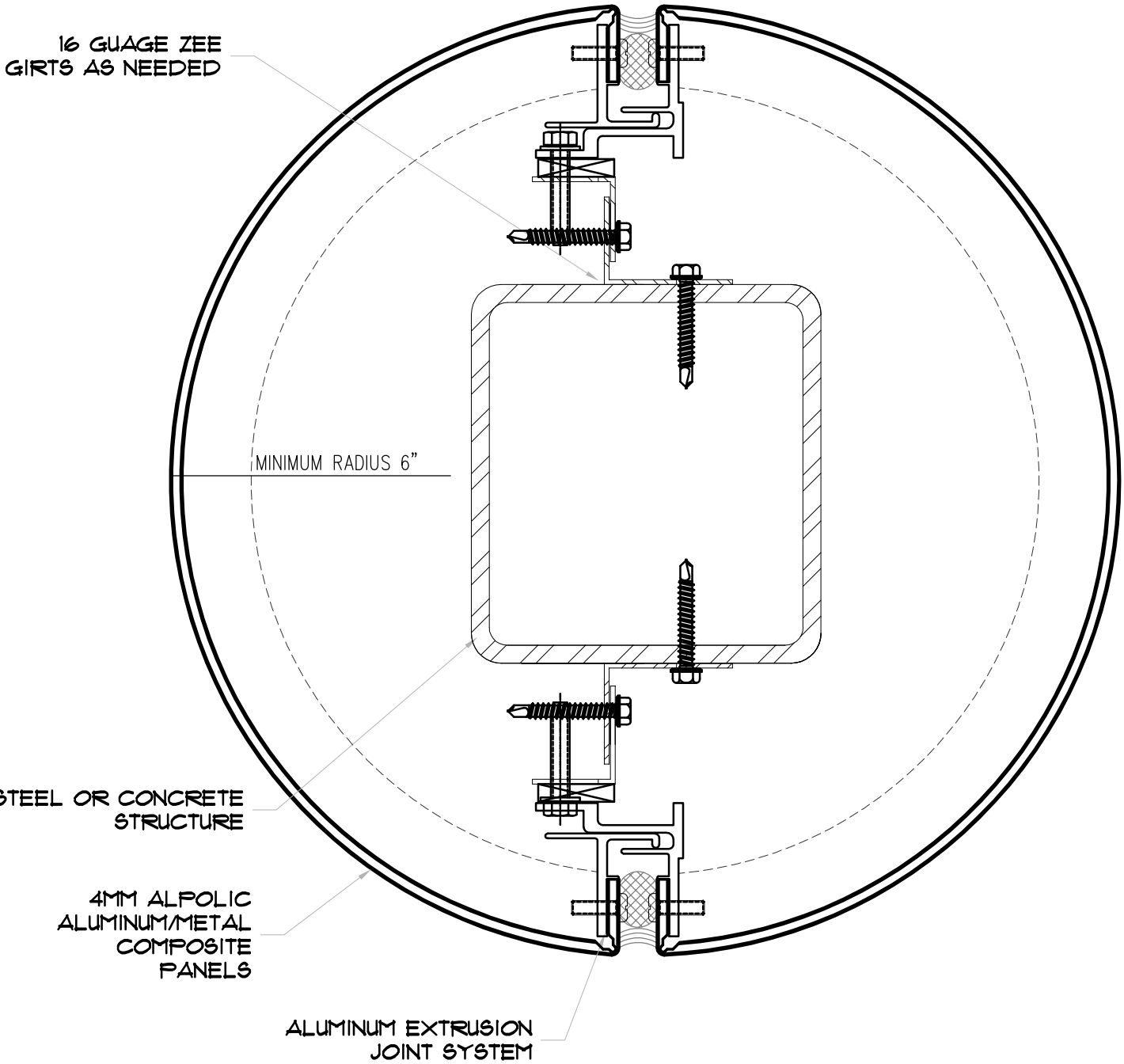
WET SEAL SYSTEM
 10.01.05
www.alpolic-usa.com



12A PARAPET DETAIL, OPTION 2
 WS SCALE: 6" = 1'-0"

ALPOLIC®

WET SEAL SYSTEM
 10.01.05
www.alpolic-usa.com



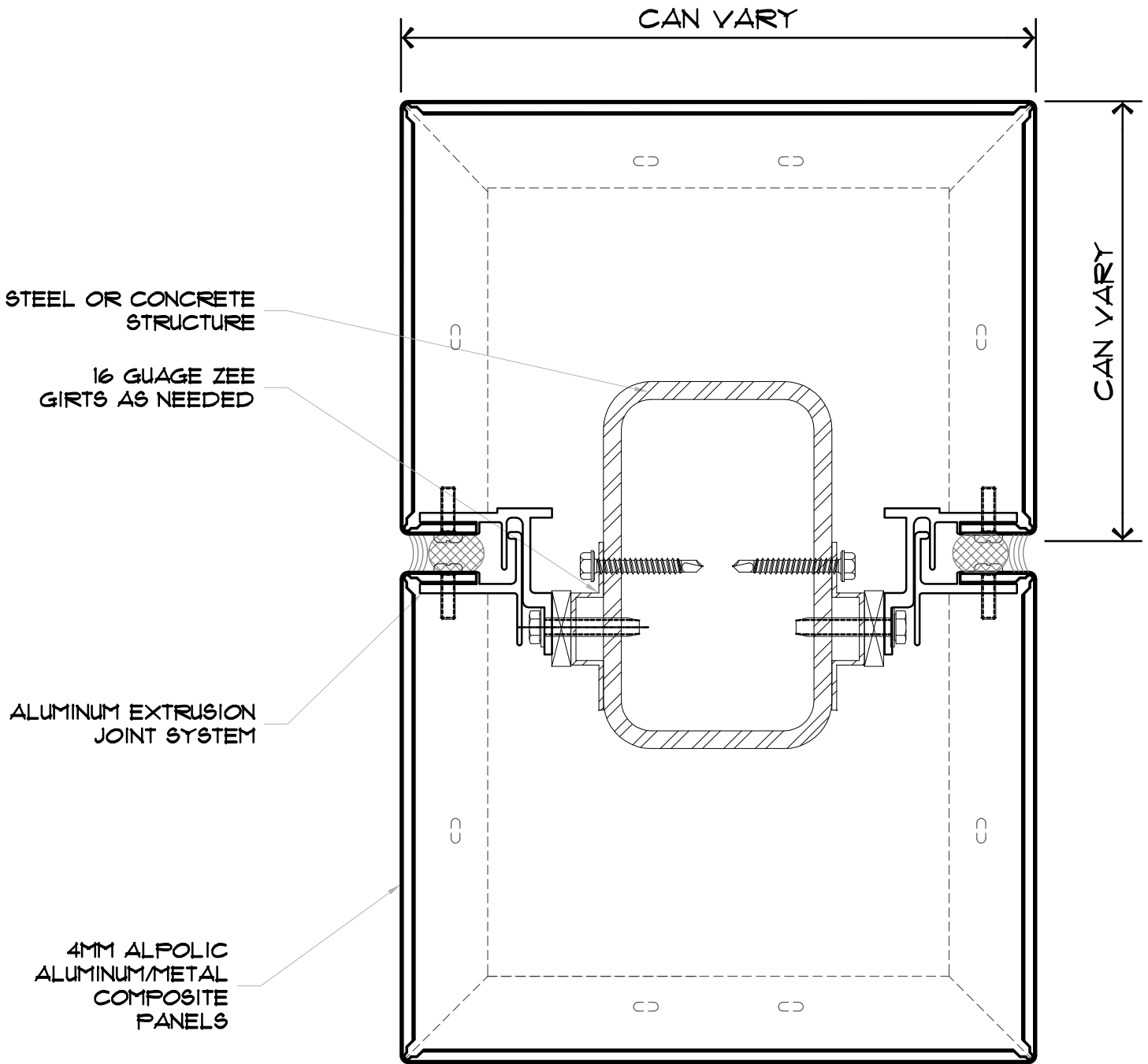
13
RS

CIRCULAR COLUMN

SCALE: 6" = 1'-0"

ALPOLIC[®]

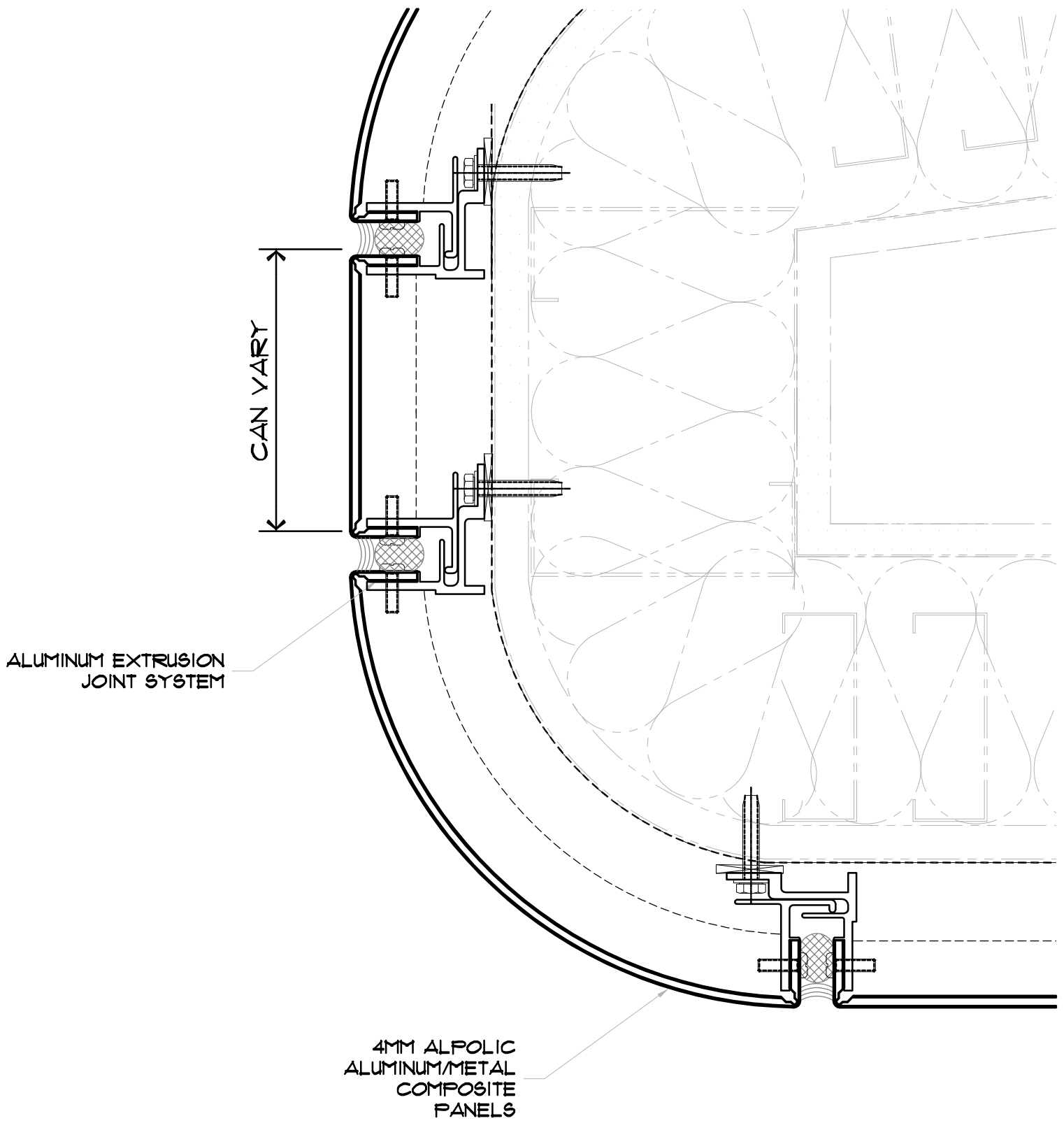
WET SEAL SYSTEM
10.01.05
www.alpolitic-usa.com



14 SQUARE COLUMN
 RS SCALE: 6" = 1'-0"

ALPOLIC[®]

WET SEAL SYSTEM
 10.01.05
www.alpolic-usa.com



15
RS

CANOPY/SUNSHADE

SCALE: 6" = 1'-0"

ALPOLIC®

WET SEAL SYSTEM
10.01.05
www.alpolic-usa.com