

**Design Number TFI/BPF 180-03  
PERIMETER FIRE BARRIERS**

**Thermafiber, Inc.**

**FireSpan® 90 and FireSpan® 40 and Safing™**

**ASTM E 2307**

T-Rating Refer to Compression Percentage

F-Rating 3 hr

**ASTM E 2307/ASTM E 1399 Cycling**

Class IV: 500 cycles @ 30 cpm

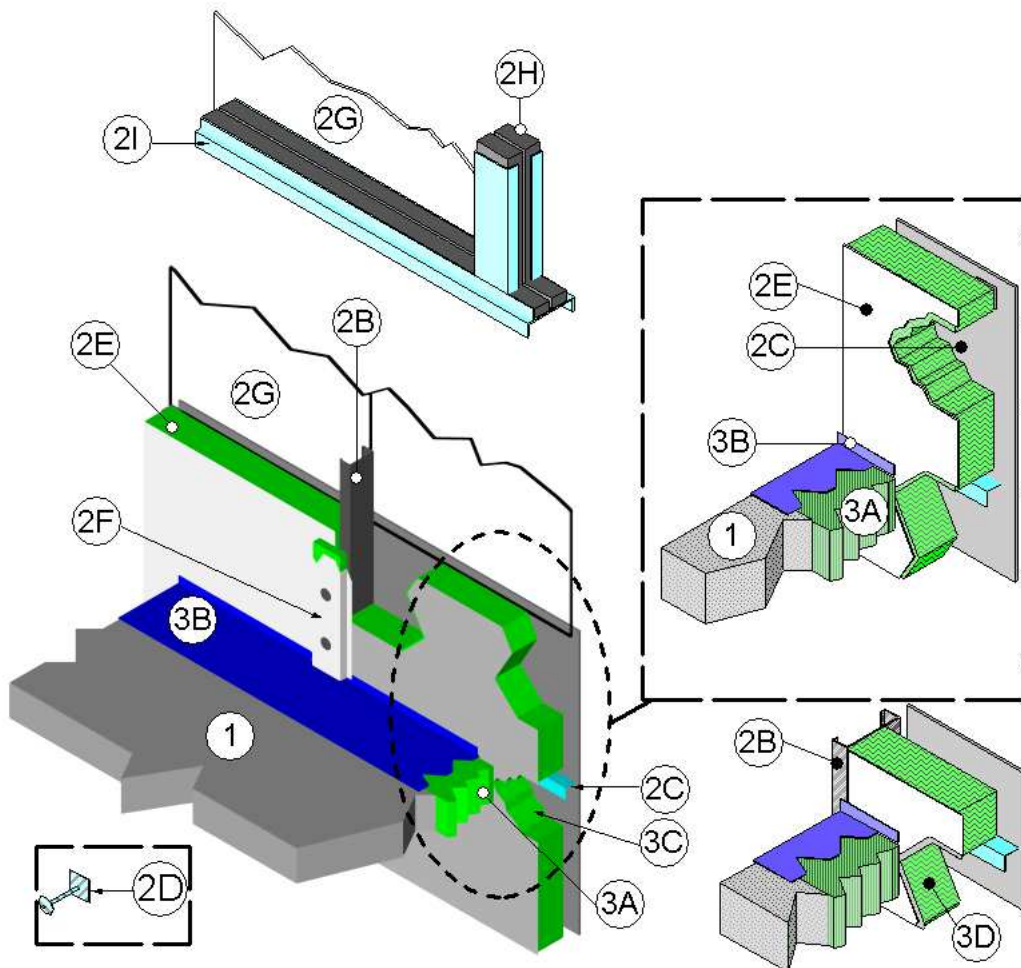
Rated for ± 16.7% horizontal movement @ 50% Compression (Reference Item 3A): T-Rating 2-1/2 hr

Rated for ± 11% horizontal movement @ 33% Compression (Reference Item 3A): T-Rating 1-1/2 hr

Rated for ± 6.25% vertical shear movement @ 50% Compression (Reference Item 3A): T-Rating 0 hr

**UL 2079**

L-Rating ambient and elevated (400F): <1.0 SCFM/LF



**1. CONCRETE FLOOR ASSEMBLY:**

Three hour rated concrete floor assembly made from either lightweight

or normal weight concrete with a density of 100 to 150 pcf, having a minimum thickness of 4-1/2 in. at the joint face.

Date Revised: January 14, 2013  
Project No: 100013710SAT-002Q

**Intertek**

©Intertek

**Division 07 Thermal Protection**

**07-84-00 Firestopping**

**07-84-53 Building Perimeter Firestopping**

When a longitudinal recess (blockout) is required to contain an architectural joint system, increase concrete floor assembly thickness to maintain a minimum thickness of 4-1/2 in. and accommodate depth of blockout formed in the concrete: blockout width unrestricted.

**2. CURTAIN WALL ASSEMBLY:**  
Incorporate the following construction features into the curtain wall assembly:

- A. Panel Mounting Attachment: (Not shown) Install steel attachments to the steel stud framing (Item 2B) according to the curtain wall manufacturer's instructions. When required, connect the steel mounting attachments to the joint face of the concrete floor assembly (Item 1) according to the curtain wall manufacturer's instructions. Limit distance between steel mounting attachments to maximum 120 in. on center (oc).
- B. Steel Stud Framing: Use minimum 3-5/8 in. by 1-5/8 in., 18 gauge (GA), C-shaped steel studs as vertical framing. Limit distance between vertical steel stud framing to maximum 48 in. oc. When required, install horizontal structural framing members. Limit distance between horizontal steel stud framing to maximum 72 in. oc. In the spandrel area, locate the horizontal framing members minimum 33 in. above the top surface of the concrete floor assembly (Item 1).
- C. Glass Panels: Secure glass panels to curtain wall framing according to the curtain wall system manufacturer's guidelines. Use a minimum 1/4 in. thick clear, heat-strengthened (HS) or tempered glass with a maximum width of 48 in..
- D. Impaling Pins: (Optional) Install minimum 12 GA steel pins sized to extend minimum 1/2 in. through the framing covers (Item 2F). Attach

pins using a 2 in. x 2 in. steel plate, 2 in. x 2 in. steel angle or directly attached to the steel stud framing (Item 2B) using a stud gun. Space pins maximum 12 in. oc.

**E. CERTIFIED COMPANY:**  
Thermafiber, Inc.

**CERTIFIED PRODUCT:** Insulation Mineral Wool

**MODEL:** Thermafiber, Inc. FireSpan® 90 and Firespan® 40

Curtain Wall Insulation: Use nominal 24 in. wide, 4 in. thick, 4 pcf density or 2 in. thick, 8 pcf density, mineral wool batt insulation faced on one side with aluminum foil scrim (vapor retarder), which is exposed to the room interior and installed in the stud cavity. Install curtain wall insulation by friction fitting in each stud cavity between steel stud framing (Item 2B). Friction fit by using a curtain wall insulation widths at least 1/4 in. longer than the distance between steel stud framing (Item 2B). Maintain 1-1/4 in. air cavity between curtain wall insulation and aluminum panels (Item 2C). Completely fill the recess of the C-shaped steel stud framing (Item 2B) with curtain wall insulation. Tightly compress together butt joints in the lengths of curtain wall insulation by using minimum 1/4 in. compression per piece of curtain wall insulation material. Tape all adjacent edges between curtain wall insulation, or between steel stud framing (Item 2B) and curtain wall insulation, with minimum 4 in. wide pressure sensitive aluminum foil tape, centered over the seam. Locate horizontal seams in the curtain wall insulation at least 6 in. above or below the top surface of the perimeter joint protection (Item 3).

**F. CERTIFIED COMPANY:**  
Thermafiber, Inc.



**Division 07 Thermal Protection**

**07-84-00 Firestopping**

**07-84-53 Building Perimeter Firestopping**

CERTIFIED PRODUCT: Insulation Mineral Wool

MODEL: Thermafiber, Inc. FireSpan® 90

Framing Covers: Make from strips of 1 in., 8 pcf density, mineral wool batt insulation faced on one side with aluminum foil scrim (vapor retarder), which is exposed to the room interior. Cut strips a minimum 1-1/2 in. wider than steel stud framing (Item 2B). Center framing covers over all steel stud framing (Item 2B) and secure using impaling pins (Item 2D). Do not pass framing covers through the perimeter joint protection (Item 3). Allow framing covers to abut the top and the bottom surfaces of the perimeter joint protection (Item 3) provided that no deformation occurs.

- G. Glass Vision Panels: When required, use optional glass vision panels a minimum 20 in. above the top surface of the floor assembly (Item 1). Install glass vision panels to curtain wall framing according to the curtain wall system manufacturer's guidelines. Use a minimum 1/4 in. thick, clear tempered glass with a nominal width and height as determined by the framing.
- H. Window Gaskets: When optional glass vision panels used, secure glass vision panels with a thermal break (thermo-set rubber extrusion).
- I. Window Framing: When glass vision panels used, use steel framing members a minimum 3-5/8 in. by 1-5/8 in., 18 GA steel, U-shaped channel or similar construction compatible with structural framing (Item 2B). Locate window framing at least 20 in. above the top surface of the floor assembly.

- 3. PERIMETER JOINT PROTECTION: Do not exceed an 8 in. nominal joint width (joint width at installation). Incorporate the following construction features for

Date Revised: January 14, 2013  
Project No: 100013710SAT-002Q

the perimeter joint protection (also known as perimeter fire barrier system):

- A. CERTIFIED COMPANY: Thermafiber, Inc.

CERTIFIED PRODUCT: Insulation Mineral Wool

MODEL: Thermafiber, Inc. Safing™

Packing Material: Install reinforcing angle (Item 3C). Use a minimum 4 in. thick, 4 pcf density, mineral wool batt insulation installed with the fibers running parallel to the edge of concrete floor assembly (Item 1) and curtain wall assembly (Item 2). Cut packing material width to achieve required compression, refer below, when installed in the nominal joint width. Compress the packing material into the perimeter joint. Tightly compress together splices (butt joints) in the lengths of packing material by using minimum 1/4 in. compression per piece of packing material. When a spray coating is used, locate the top surface of the packing material flush with the top surface of the concrete floor assembly (Item 1). When the non-sag or self leveling silicone sealant is used, recess the top surface of the packing material 1/4 in. from the top surface of the concrete floor assembly (Item 1).

- I. When 50% compression is required cut the width of the packing material 2 times wider than the nominal joint width.
  - II. When 33% compression is required cut the width of the packing material 1.5 times wider than the nominal joint width.
- B. Fill, Void or Cavity Material: Apply 3M FireDam™ Spray 200 (Elastomeric, Sprayable) or Fire Barrier™ 1000 N/S Silicone Sealant (Non-sag) or FB 1003 S/L (Self Leveling) Sealant (bearing the Intertek Certification Mark) over the



## Division 07 Thermal Protection

### 07-84-00 Firestopping

#### 07-84-53 Building Perimeter Firestopping

packing material (Item 3A) as follows:

Spray Coating – Spray apply the liquid to cover the exposed top surface of the packing material (Item 3A) compressed and installed in the perimeter joint. Apply a minimum wet film thickness of 1/8 in. and overlap the spray coating a minimum 1/2 in. onto the adjacent curtain wall assembly (Item 2) and concrete floor assembly (Item 1). When the spraying process is stopped and the applied spray coating cures to an elastomeric film before installation process is restarted, then overlap the edge of the cured spray coating at least 1/8 in. with the liquid spray coating.

Sealant – Apply non-sag or self leveling sealant to cover the exposed surface of the packing material (Item 3A) compressed and installed in the perimeter joint. Apply minimum 1/4 in. thickness non-sag or self leveling sealant over the packing material (Item 3A) and finish flush with the top surface of the concrete floor assembly (Item 1).

- C. Reinforcing Angle: Mount a minimum 1-1/2 in. x 1-1/2 in., 20 GA galvanized-steel angle to the steel stud framing (Item 2B) so that the vertical leg serves as a backer to the exterior face of the curtain wall insulation (Item 2E) and the horizontal leg extends away from the curtain wall insulation and is located at the centerline of the packing material (Item 3A). Size the angle 12 in. longer than the span between the interior edges of the steel stud framing (Item 2B) and form the angle so that it has a 6 in. vertical leg on each end. Secure the 6 in. vertical leg on each end to the steel stud framing (Item 2B) on each side with three No. 10 steel self-tapping sheet metal screws placed in a triangular fashion with a maximum spacing of 2 in. oc.