

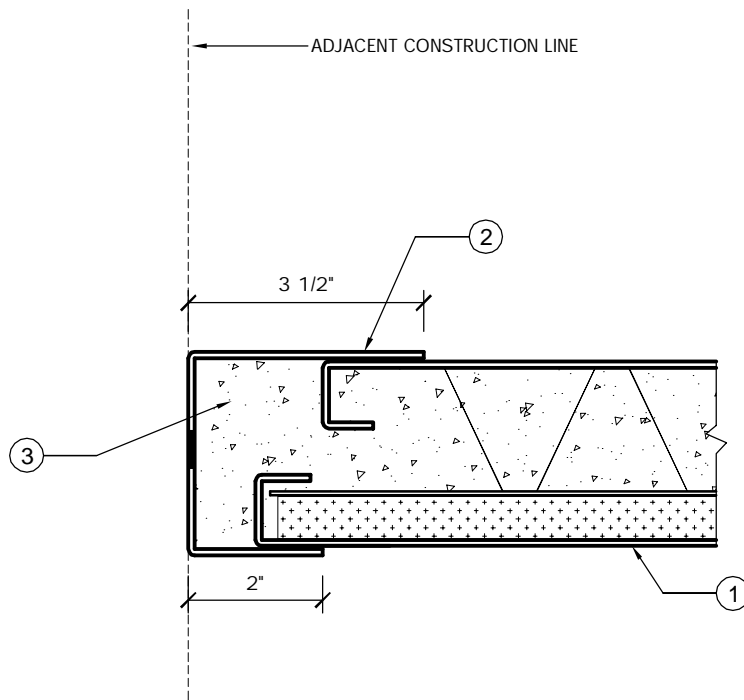
---

## Trussbilt Manufacturing End of Wall Joint Detail

### Detail No. E01

Investigated by Intertek for compliance with applicable requirements. For use with Trussbilt's Fire Rated Wall Panel System TBM/MWP 60-01 or TBM/MWP 120-01

---



1. Trussbilt fire rated wall panel TBM/MWP 60-01 (1 hour rating) or TBM/MWP 120-01 (2 hour rating)
  2. 12 gauge (minimum) A60 or 409SS wall channel:
    - Concrete / Masonry Substrate: prepared with holes for 3/8" (minimum) diameter mechanical anchors at 18" o.c. (maximum)
    - Steel Wall Panel Substrate: Prepared for 3/8" (minimum) plug weld holes located 18" o.c. (maximum).
    - Gypsum / Metal Stud Substrate: No attachment anchors required. Channel butted tight to ensure no gaps to adjacent wall construction and weld to metal panel only.
  3. Cavity between end of wall panel and trim piece to be filled with concrete or rockwool insulation (4 PCF compressed 50% minimum).
-