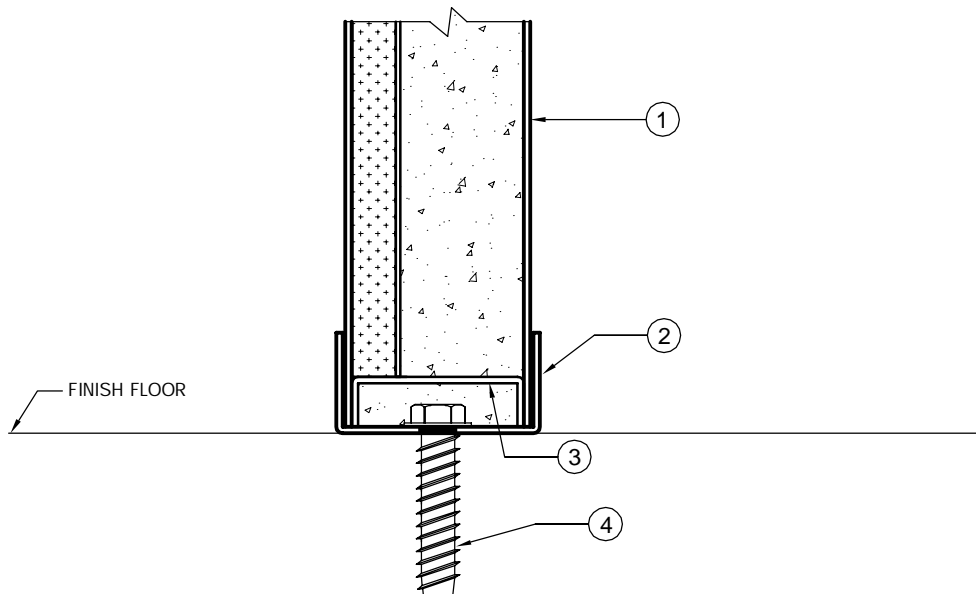

Trussbilt Manufacturing Bottom of Wall Joint Detail

Detail No. B01

Investigated by Intertek for compliance with applicable requirements. For use with Trussbilt's Fire Rated Wall Panel System TBM/MWP 60-01 or TBM/MWP 120-01



1. Trussbilt fire rated wall panel TBM/MWP 60-01 (1 hour rating) or TBM/MWP 120-01 (2 hour rating)
 2. 12 gauge (minimum) A60, 409SS or 304SS floor channel with holes pre-punched for anchors as required.
 3. Alternative bottom channel, 16, 14 or 12 gauge A60 material.
 4. 3/8" minimum diameter expansion anchors located at 18" o.c. maximum.
-