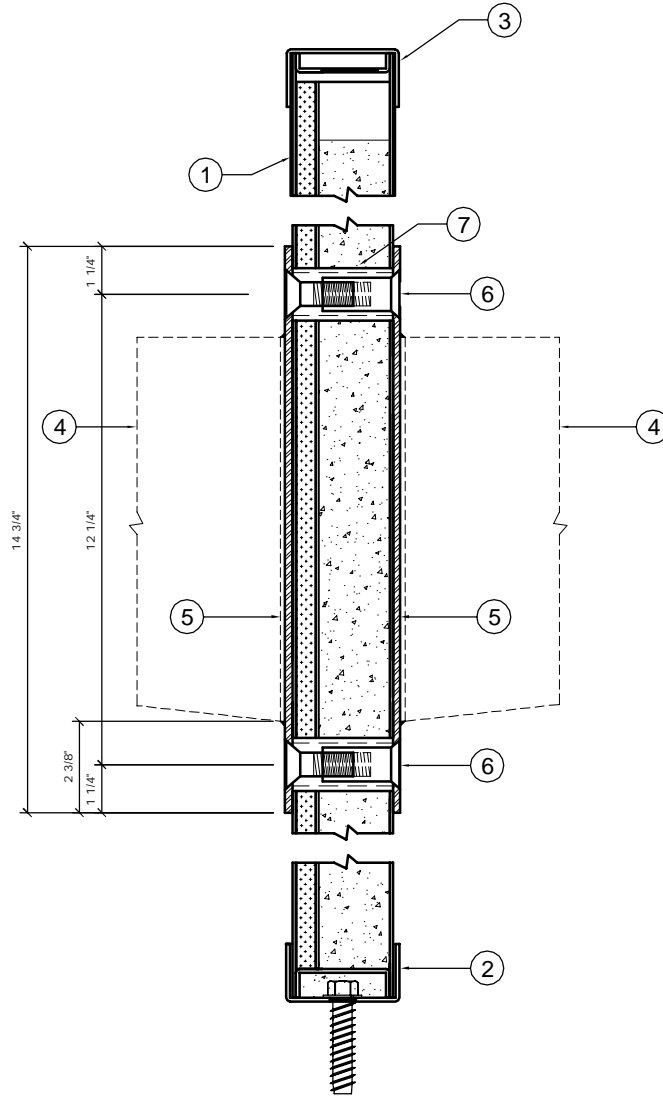


Trussbilt Manufacturing Bunk Attachment Detail Detail No. M04

Investigated by Intertek for compliance with applicable requirements. For use with Trussbilt's Fire Rated Wall Panel System TBM/MWP 60-01 or TBM/MWP 120-01
For use with load bearing and non-load bearing wall installations.



1. Trussbilt fire rated wall panel TBM/MWP 60-01 (1 hour rating) or TBM/MWP 120-01 (2 hour rating)
2. Floor channel welded to panel per manufacturer's instructions. Refer to detail B01.
3. Panel to ceiling attachment may vary.
4. Wall mounted bunk, one or both sides, welded to 7 gauge plates.
5. 7 gauge plate.
6. 5/8-11 flat head sex bolts (4) places at each mounting location.
7. 1-1/8" I.D. x 1/8" wall pipe.