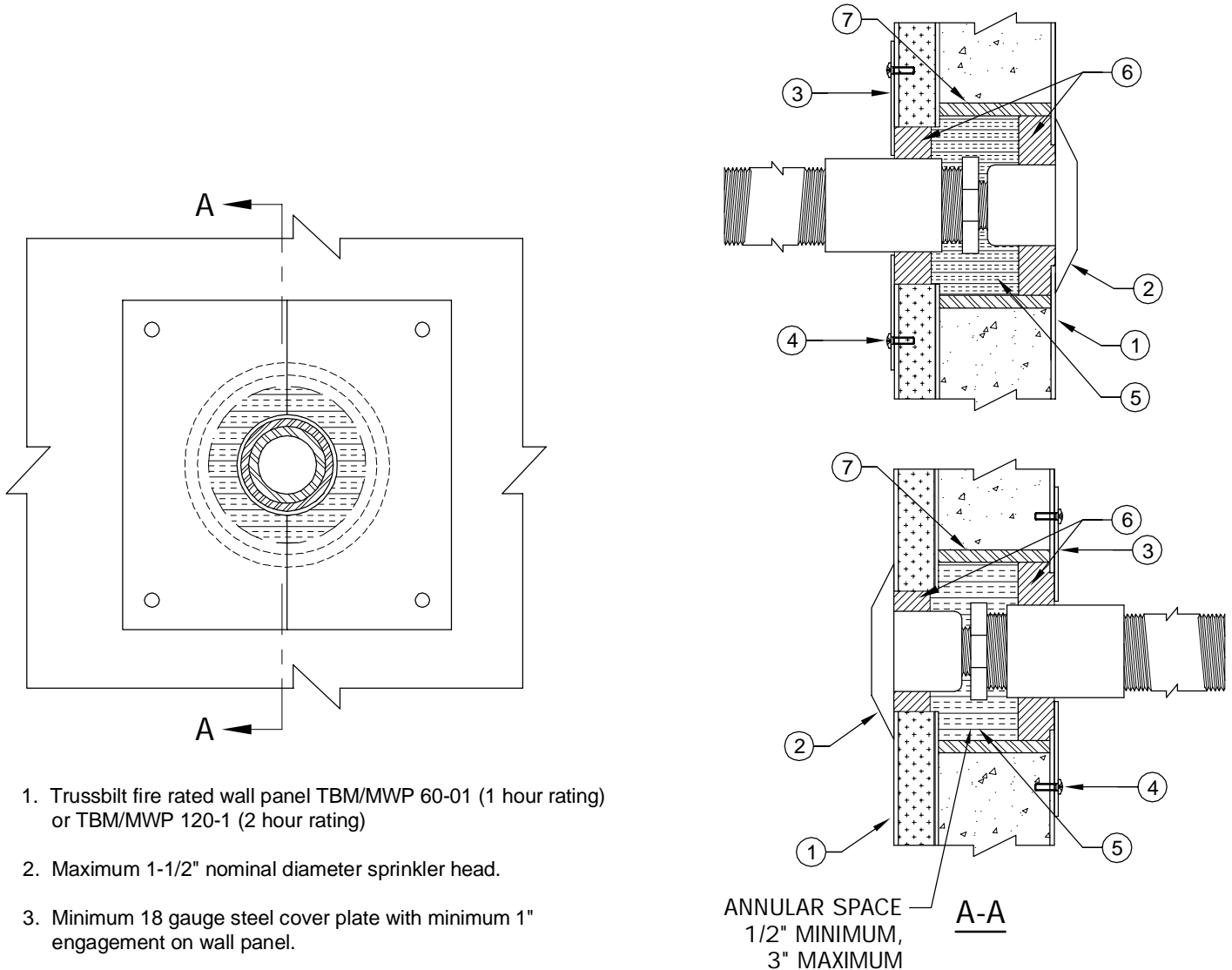


## Trussbilt Manufacturing Through Penetration Firestop System

### Detail No. P2-1

Investigated by Intertek for compliance with ASTM E814. For use with Trussbilt's Fire Rated Wall Panel System TBM/MWP 60-01 or TBM/MWP 120-01. For use with load bearing and non-load bearing wall installations.



1. Trussbilt fire rated wall panel TBM/MWP 60-01 (1 hour rating) or TBM/MWP 120-1 (2 hour rating)
2. Maximum 1-1/2" nominal diameter sprinkler head.
3. Minimum 18 gauge steel cover plate with minimum 1" engagement on wall panel.
4. Minimum #8 sheet metal screw, powder actuated fastener, or welded connection, maximum 6" o.c.
5. Mineral wool, min. 4 pcf density, compressed 50%, recessed both sides to accommodate sealant.
6. Minimum 5/8" Hilti FS ONE MAX intumescent fire stop sealant.
7. 3" Schedule 40 pipe (3-1/2" O.D.).