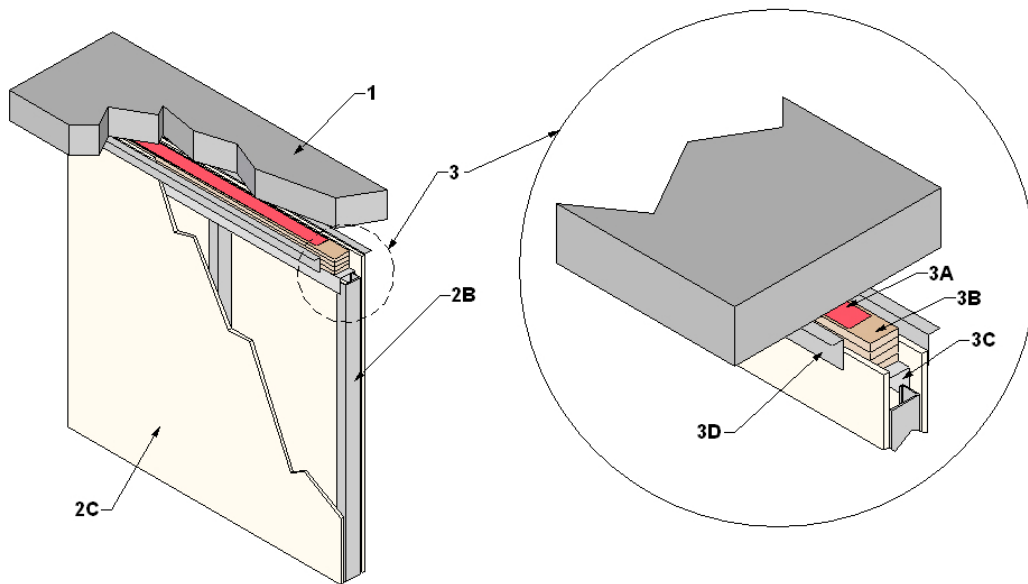

Knauf, LLC
Design Number KL/GBF 60-01
Head of Wall Joint
Knauf Fire Resistant Gypsum Board
ASTM E1966
Fire Resistance Rating: 1 hr
ASTM E1399 Cycling – Class IV
Maximum Joint Opening – 2in. (50mm)
Minimum Joint Opening – 0in. (0mm)



1. **FLOOR ASSEMBLY:** Normal weight concrete floor assembly with a minimum 1 hr fire resistance.
2. **WALL ASSEMBLY:** Construct a 1-hour fire-rated gypsum wall assembly consisting of the following elements:
 - A. **BOTTOM TRACK:** Install a minimum 25 GA, 2-1/2 in. c-shaped Knauf UM runner bottom track using appropriate method of attachment to flooring.
 - B. **STUDS:** Install minimum 2-1/2 in., 25 GA Knauf CW steel studs spaced 24 in. on center (oc). Secure studs to Bottom Track (Item 2A) using a #8 x 1/2 in. lath screw or other equivalent fastener at every stud. Stud should be cut to height

of the wall size when the Head of Wall Joint (Item 1) is at the minimum desired opening

- C. **CERTIFIED COMPANY:** Knauf, LLC.

CERTIFIED PRODUCT: Type X Gypsum Board

MODEL: Knauf GW-TX

GYPSUM BOARD: Use one layer of 5/8 in. (15.9mm) thick Knauf GW-TX Type X Gypsum Board. Secure gypsum board to steel studs (Item 1A) using Knauf TN 3.5 x 25mm long self drilling drywall screws spaced 12 in. on center (oc) around the perimeter and in the field. Ensure that screws are located

- below the top of the Gypsum Board a distance of the maximum joint width plus 1/2 in. to accommodate the Top Track (Item 3C) when the joint is at the minimum width.
- D. JOINT TAPE AND COMPOUND – (Not Shown) Apply a level 2 finish of vinyl or casein, dry or premixed joint compound applied to the following elements: Apply to face layer of gypsum board (Item 2) in two coats to all exposed fastener heads and gypsum board joints. Embed minimum 2 in. wide paper, plastic, or fiberglass tape in first layer of compound over joints in gypsum board (Item 2).
3. HEAD OF WALL JOINT – Install head of wall joint using the following items. Joints are approved for minimum opening of 0 in. (0mm) to 2 in. (50 mm).
- A. SEALANT (optional): Install nominal 1in. wide x 1/4 in. thick strip of Selleys Fireblock PSA Composite fire and acoustic sealant between the Joint Gypsum Board (Item 3B) and the Floor Assembly (Item 1)
- B. CERTIFIED COMPANY: Knauf, LLC.
- CERTIFIED PRODUCT: Type X Gypsum Board
- MODEL: Knauf GW-TX
- JOINT GYPSUM BOARD: Install 4 layers of 5/8 in. thick or 5 layers of 1/2 in. thick Knauf GW-TX type X gypsum board to Floor Assembly (Item 1) using the Top Track (Item 3C) Joint Gypsum Board shall be cut to the same width as the top track (minimum width is 2-1/2 in.). Do not use tapered edges of the Knauf GW-TX Type X Gypsum Board.
- C. TOP TRACK: Install Knauf head of wall joint top track to the Floor Assembly (Item 1) and Joint Gypsum Board (Item 3B). Minimum width of Top track is 2-1/2 in. Depth of Top Track shall be 3/8 in. (9.5mm) deeper than the desired Head of Wall Joint (Ex. A 2 in. (50mm) joint shall have a Top Track minimum depth of 2-3/8 in (60 mm) depth). Attach Top Track to Floor Assembly (Item 1) by installing Rawl Fixings 7.5 mm x 100 mm concrete bolts or other equivalent fasteners spaced 24"
- D. ANGLE: Install a 25 GA galvanized steel angle with one leg measuring 1 in. and the other angle measuring 3/8 in. longer than the maximum Head of Wall Joint opening. Install one angle on each side of the joint/wall opening. Attach Angle to the bottom of the Floor Assembly using RawlPlug ceiling wedge anchors or other equivalent fastener spaced 24 in. oc. Angle is positioned so that the vertical leg is flush against the Gypsum Board face layer on each side of the assembly.